



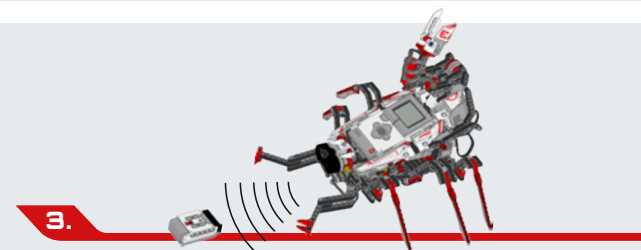
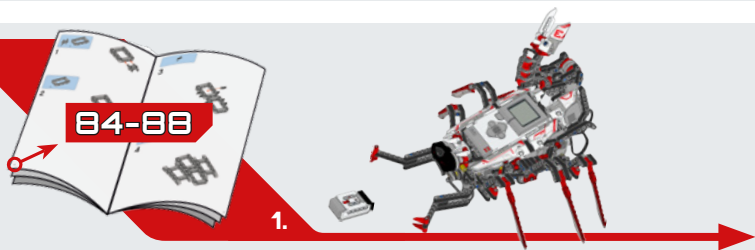
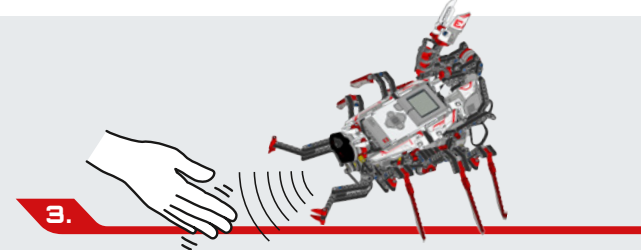
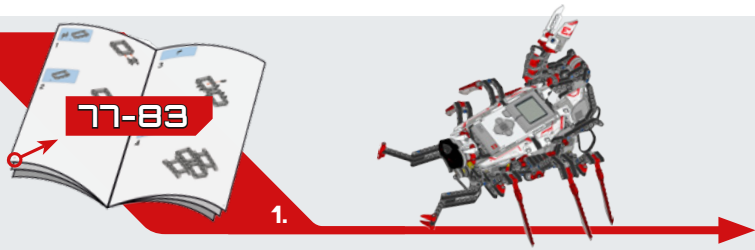
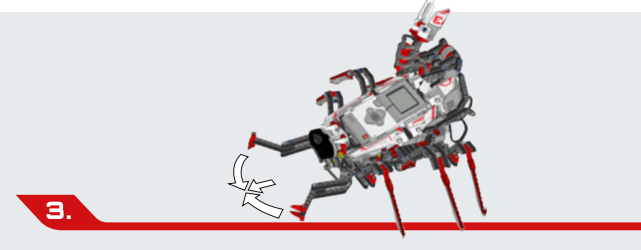
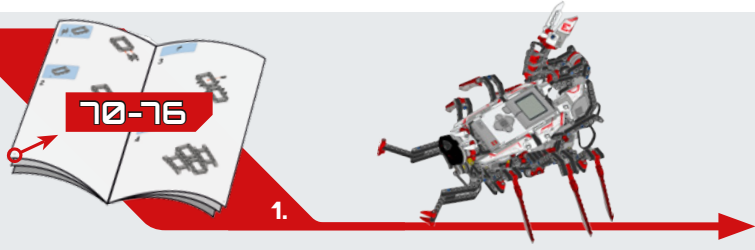
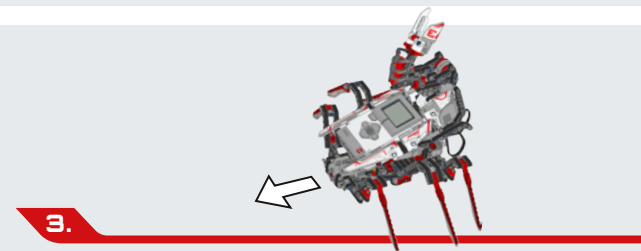
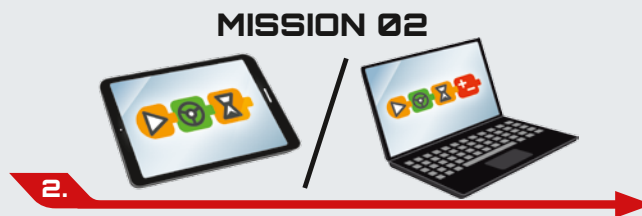
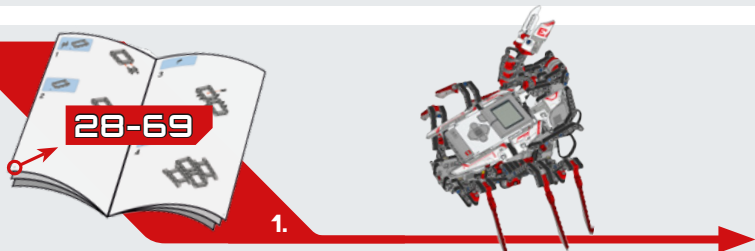
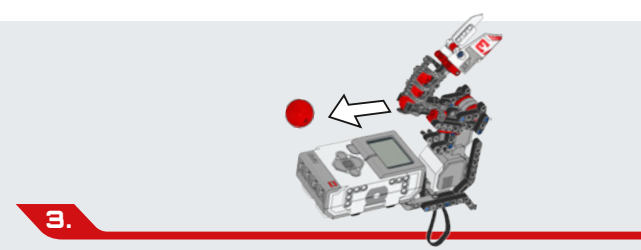
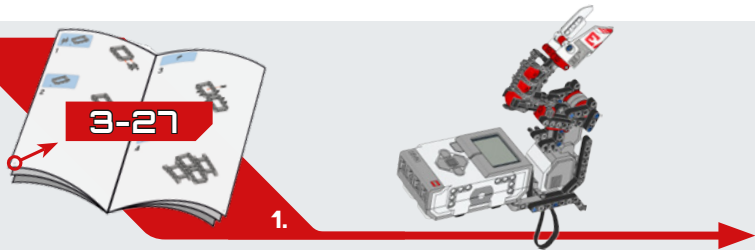
MINDSTORMS

EV3



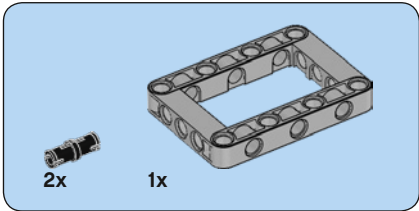
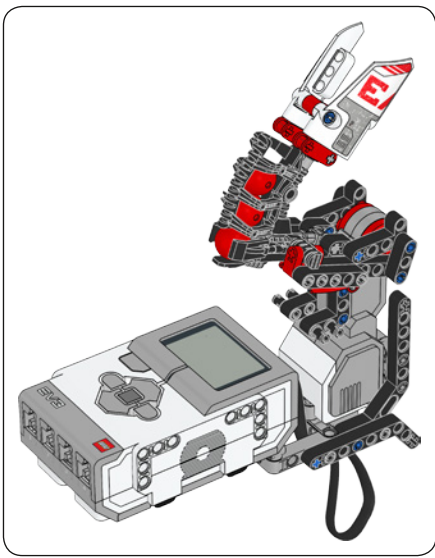
31313

SPIK3R

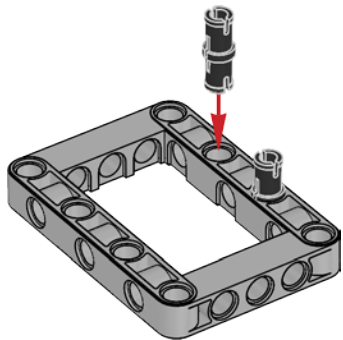


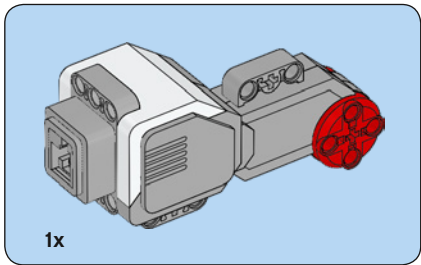
MISSION 01



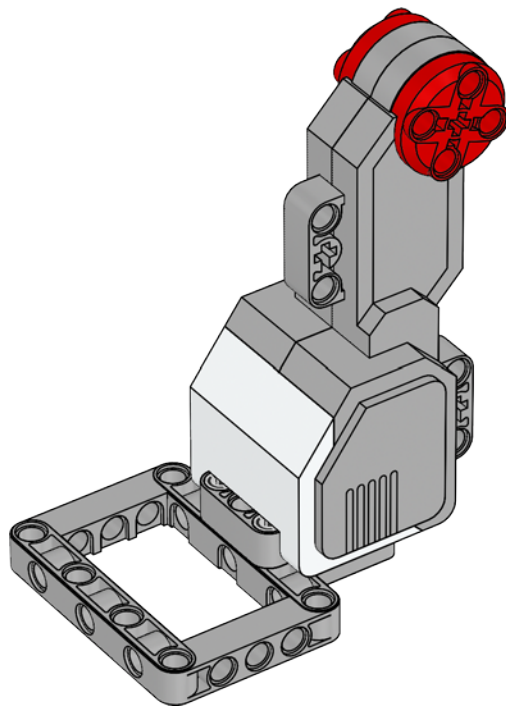


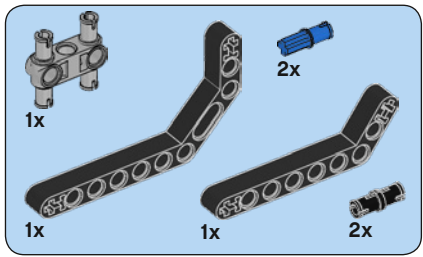
1



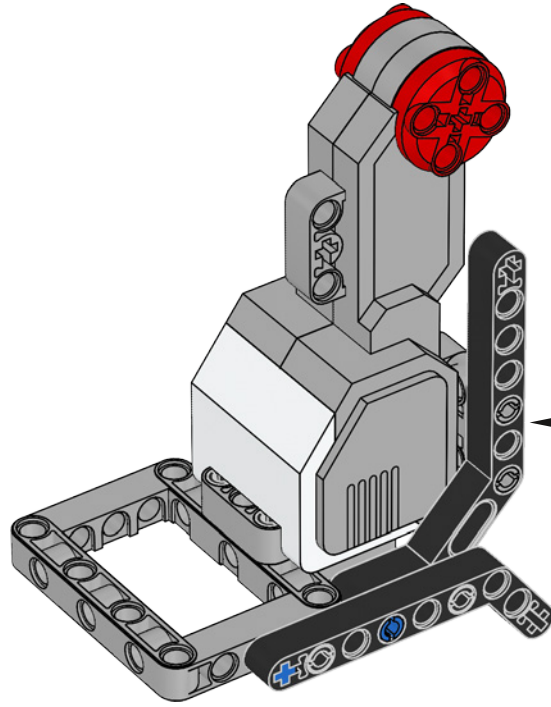
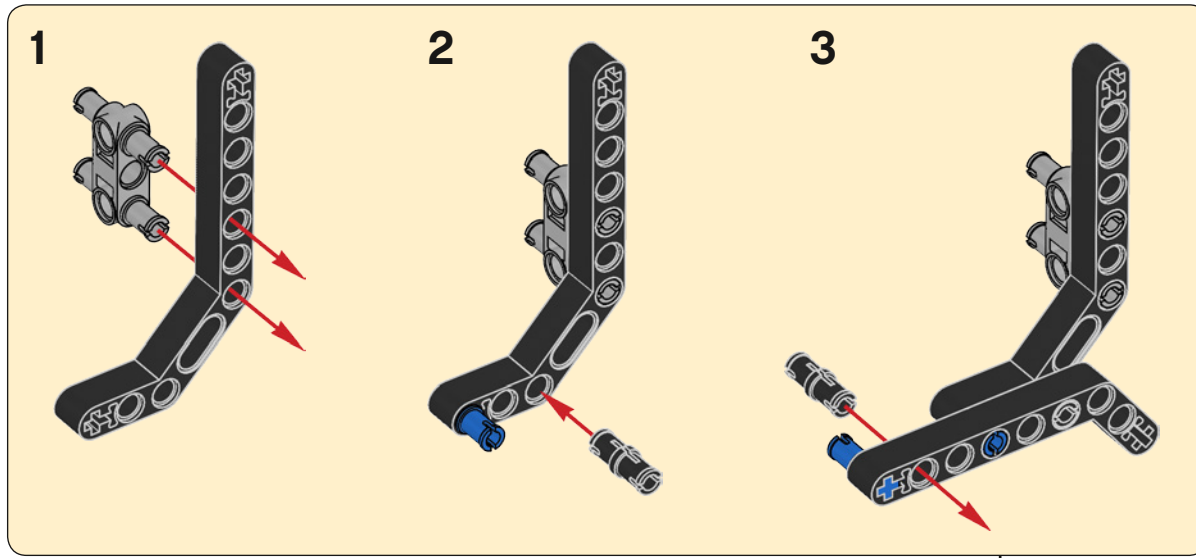


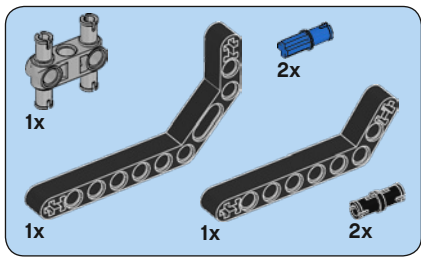
2



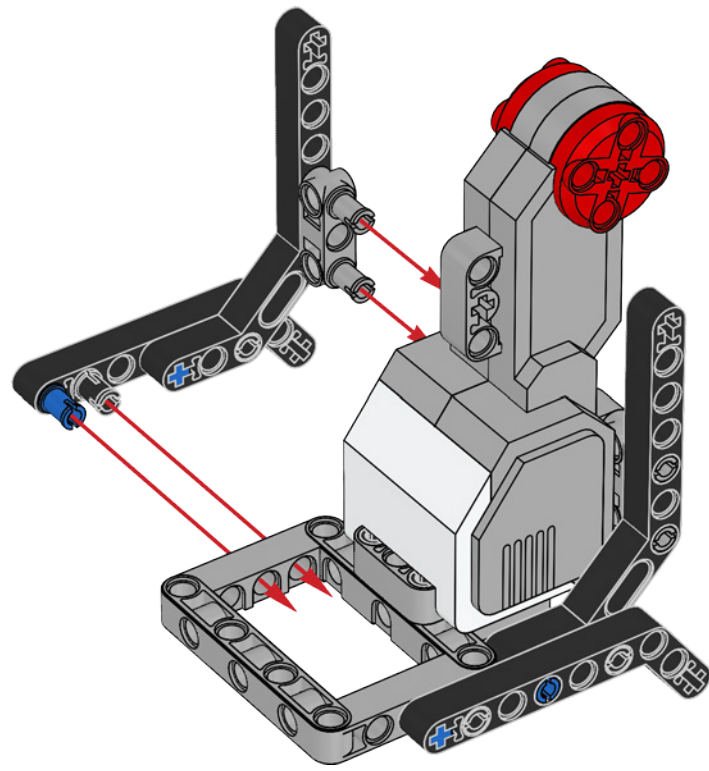
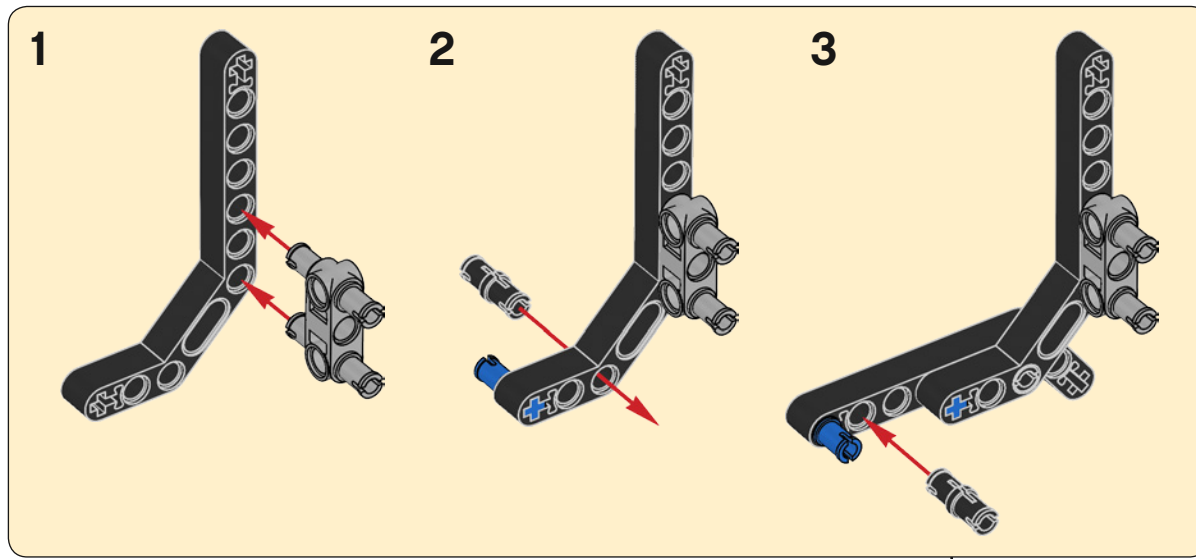


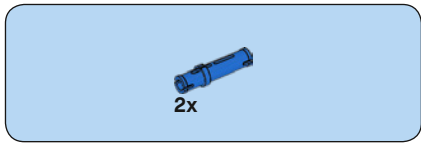
3



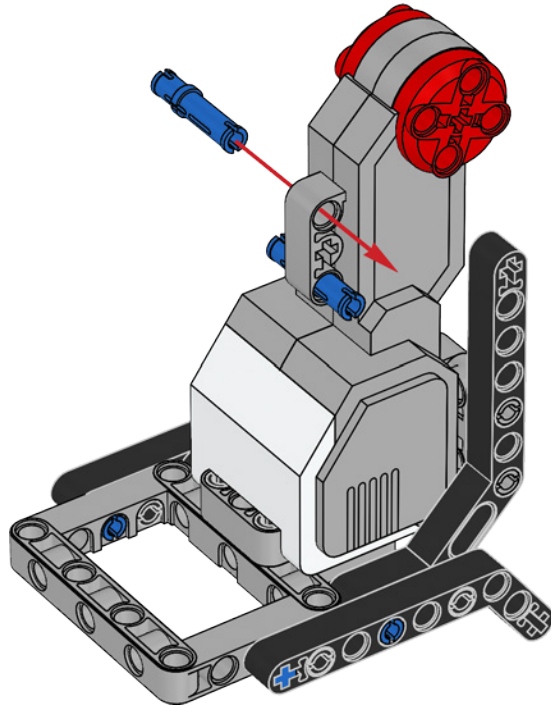


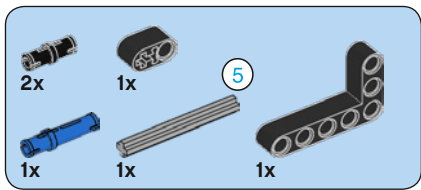
4



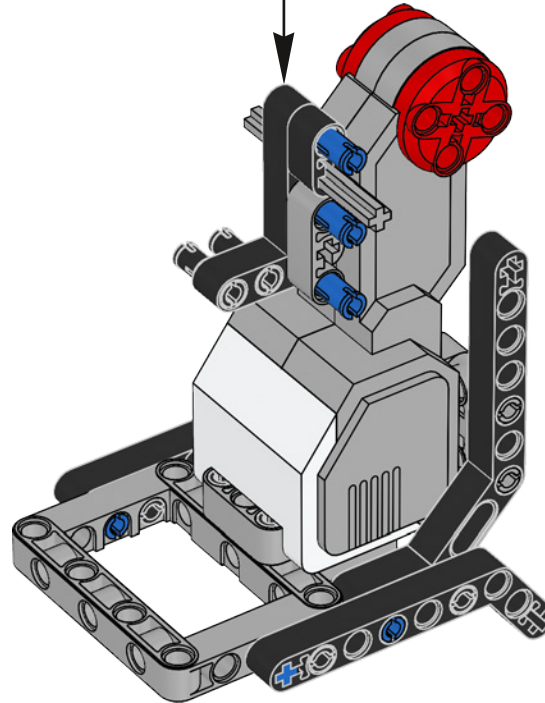
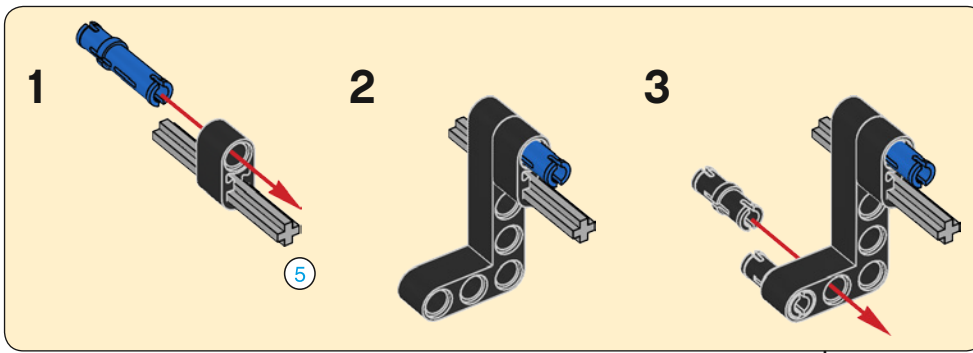


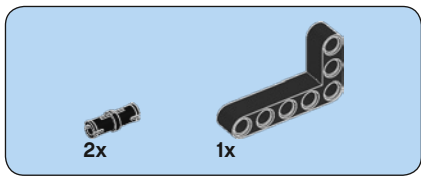
5



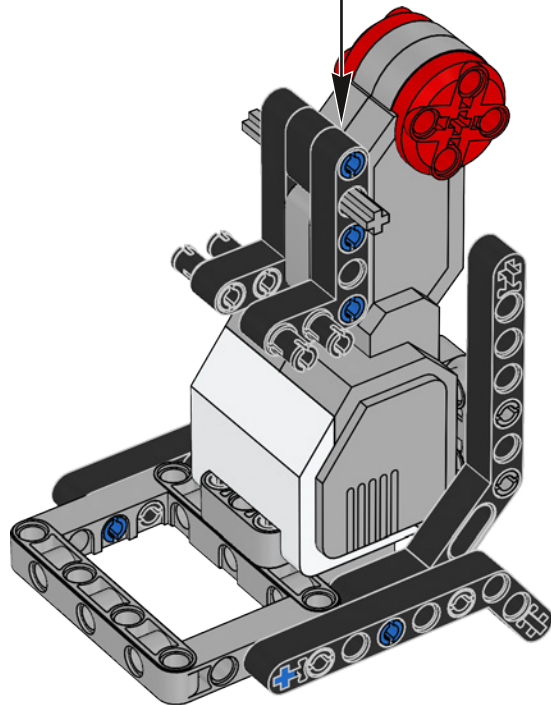
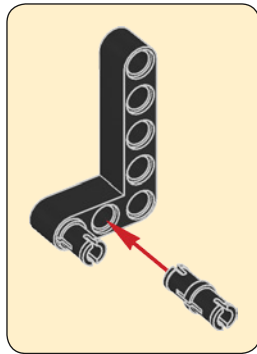


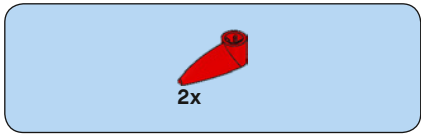
6



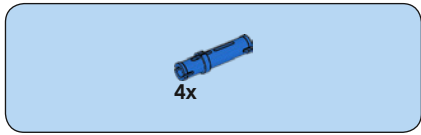
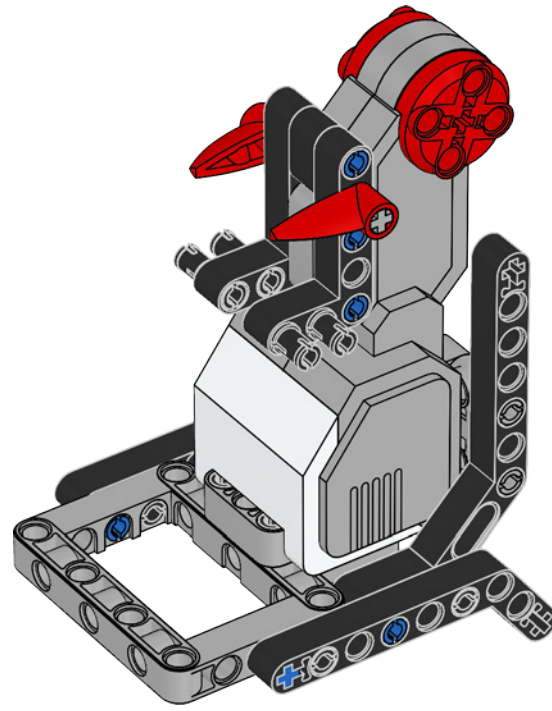


7

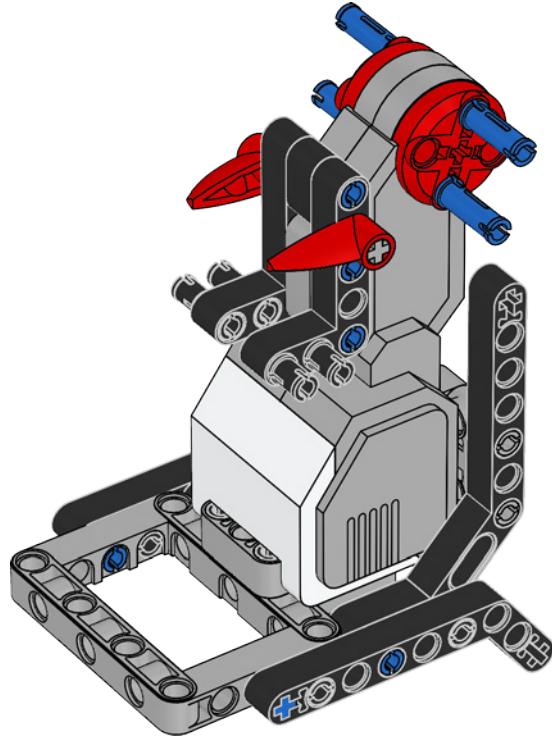


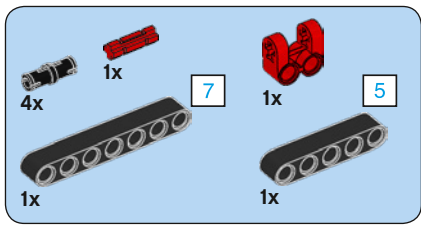


8

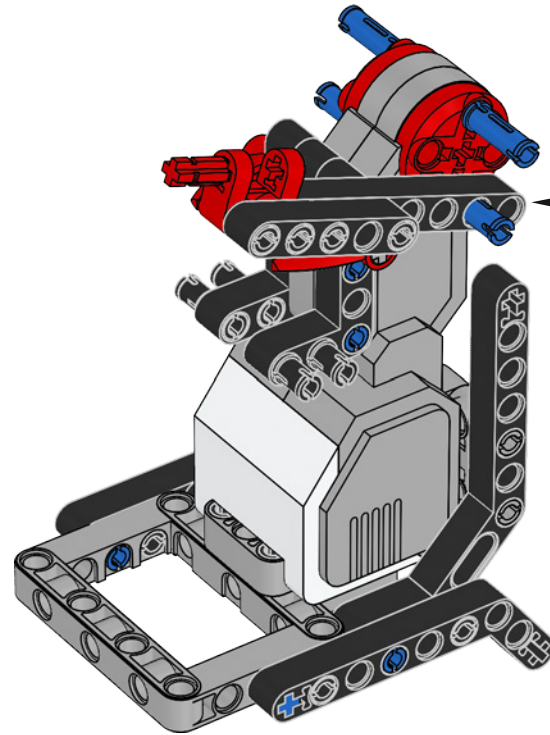
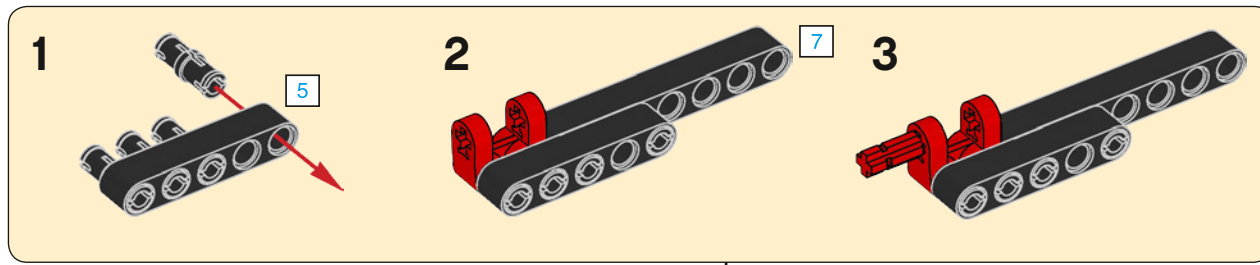


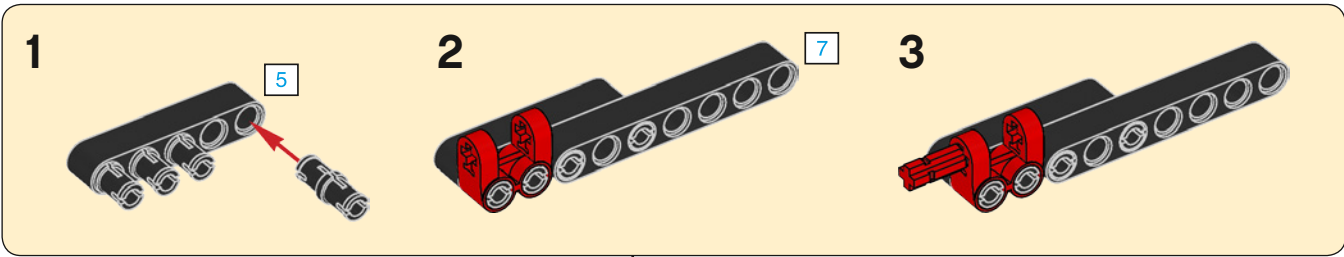
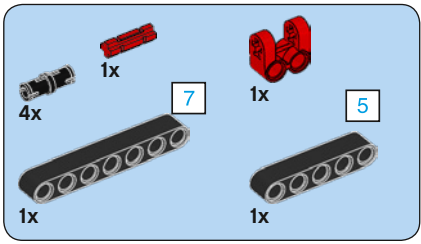
9



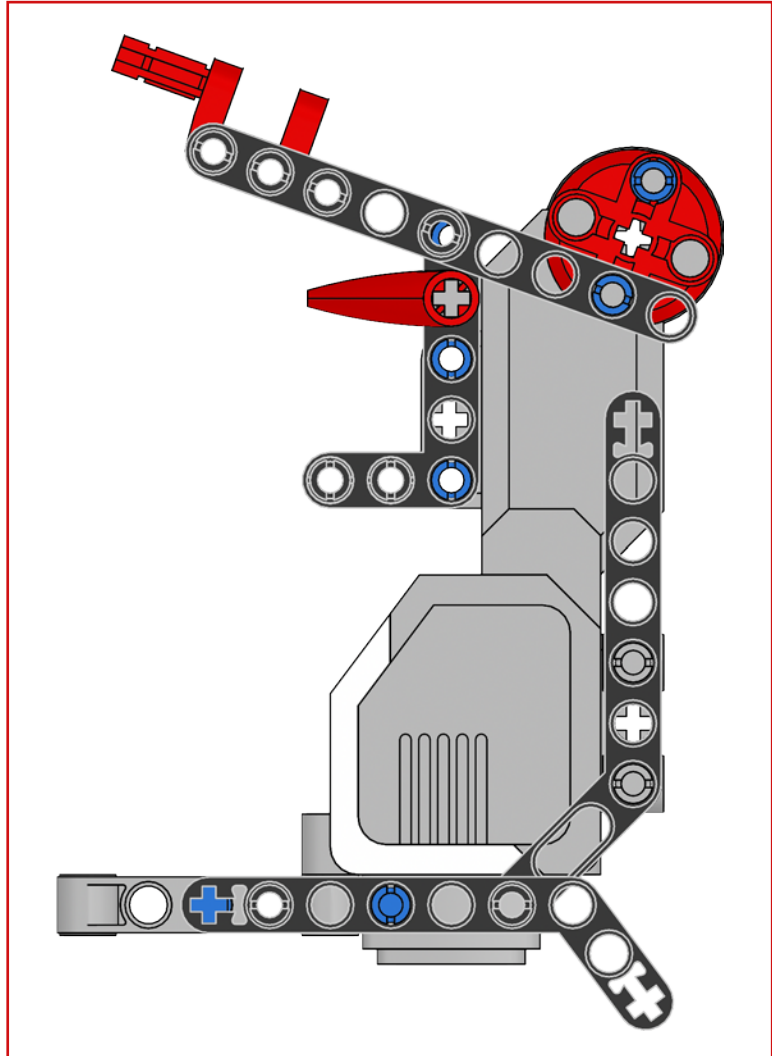
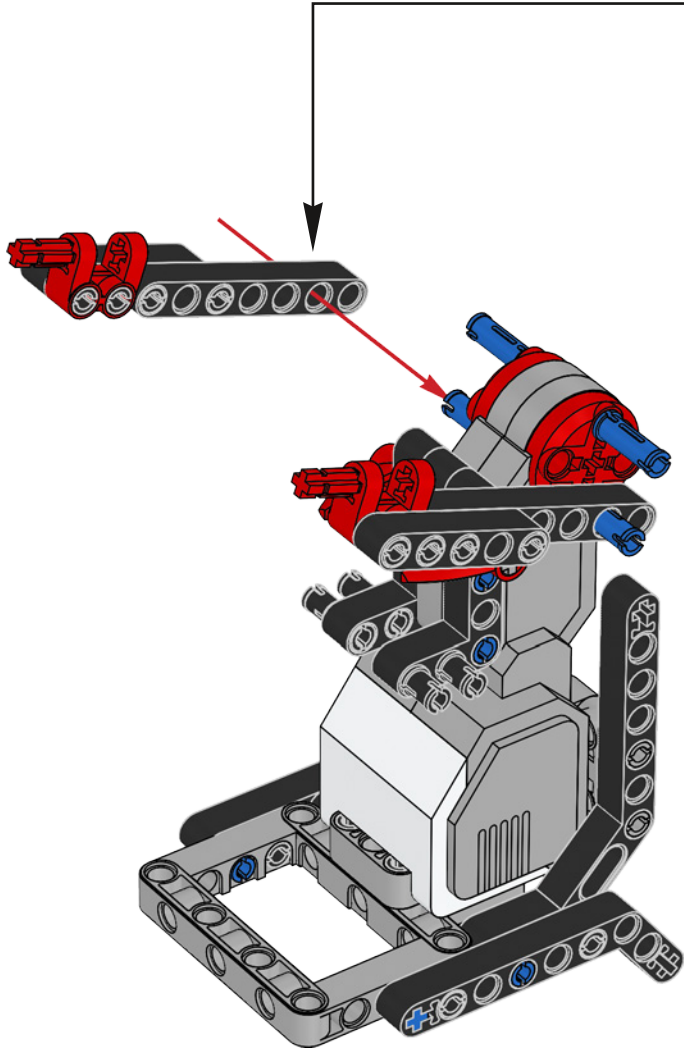


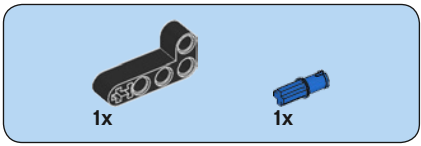
10



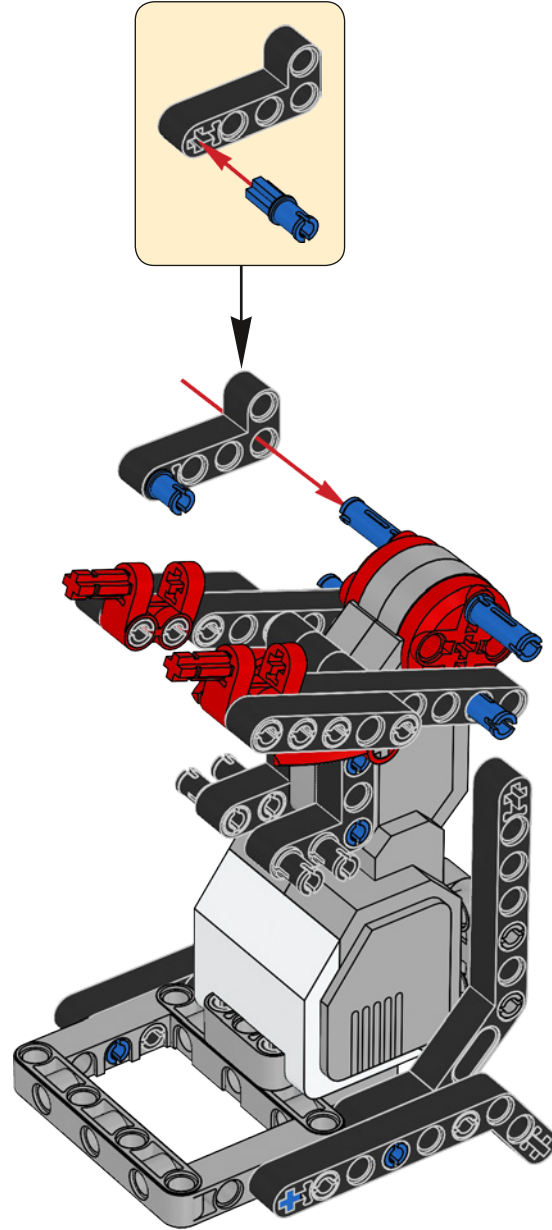


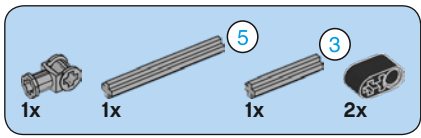
11



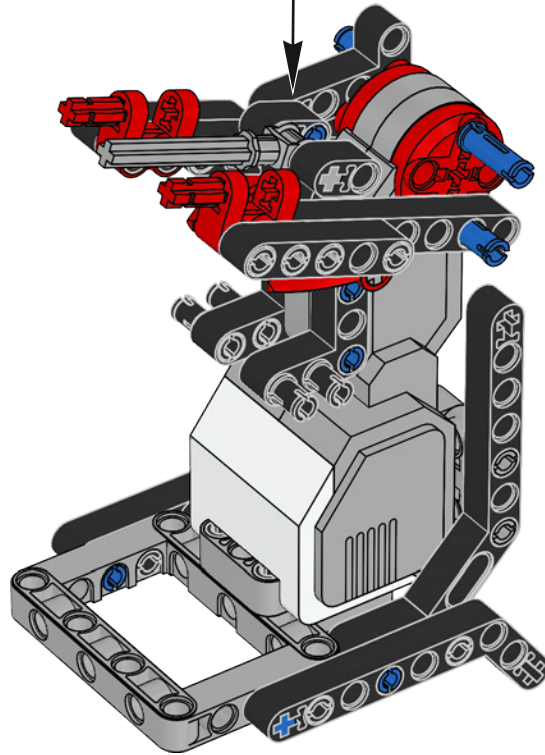
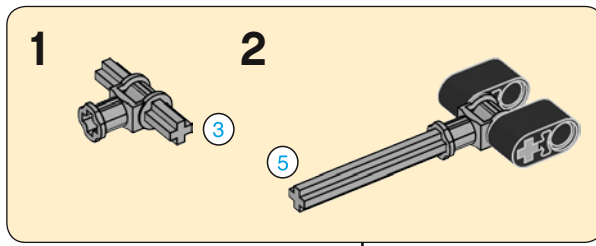


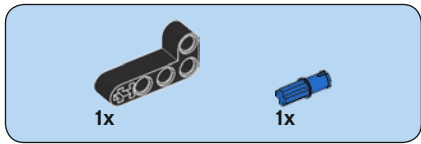
12



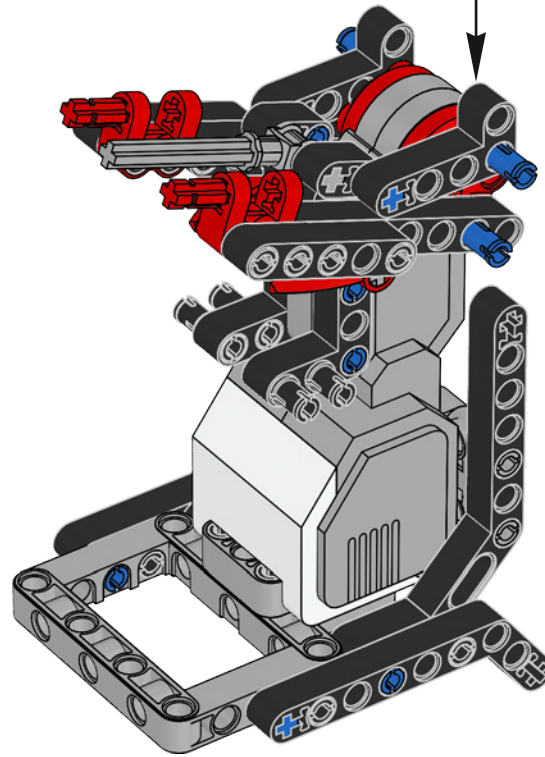
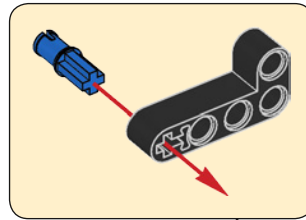


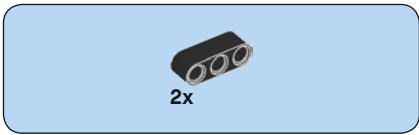
13



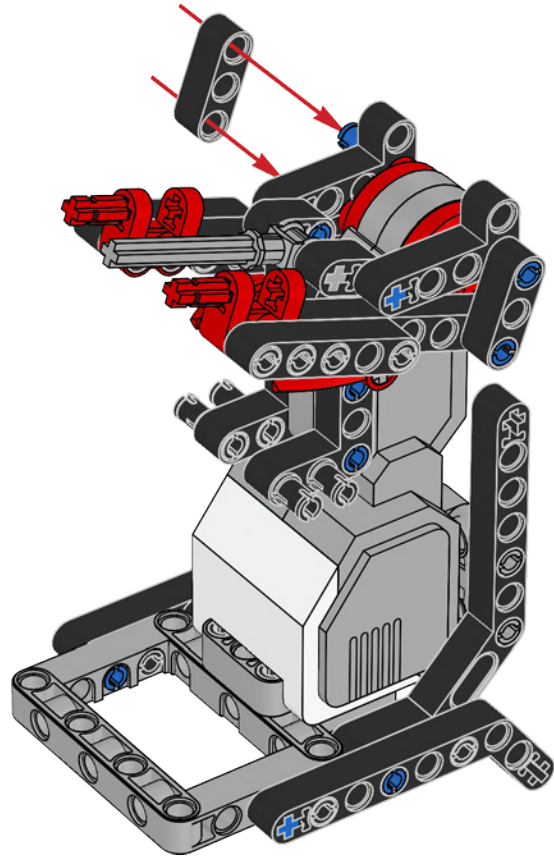


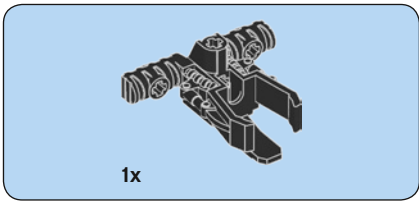
14



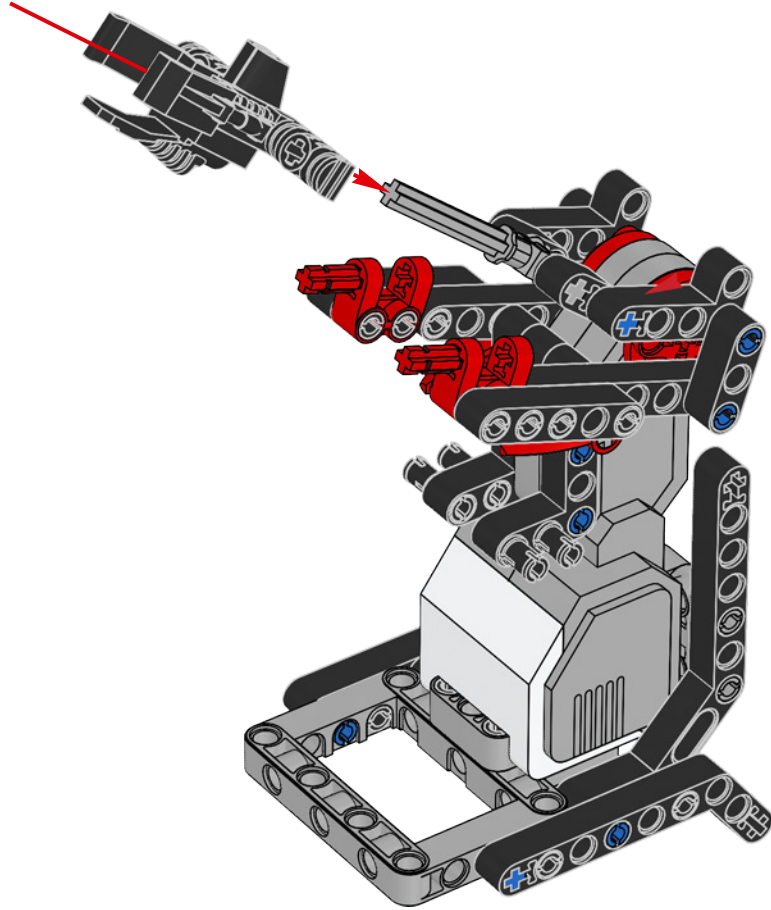


15

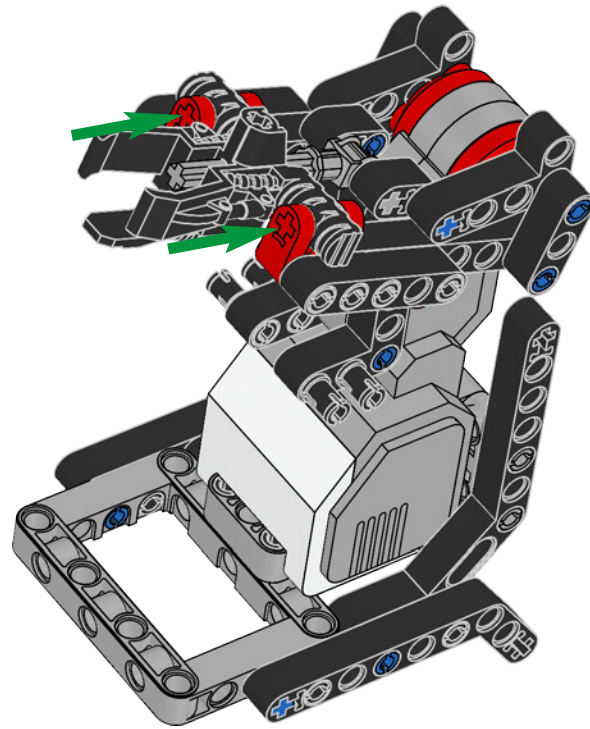


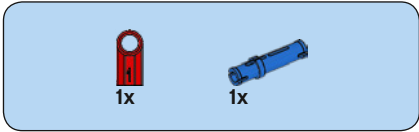
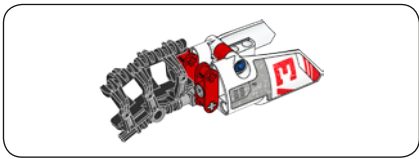


16

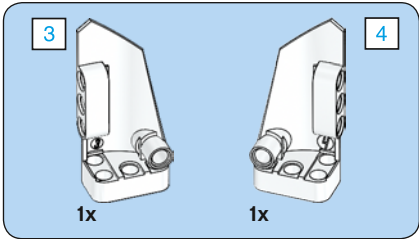
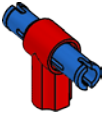


17

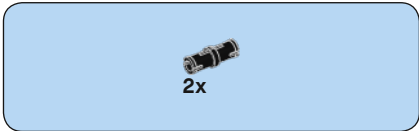
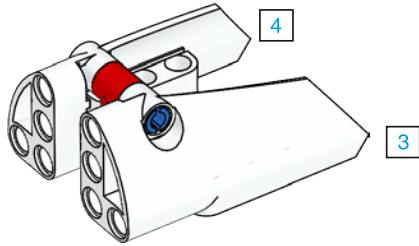




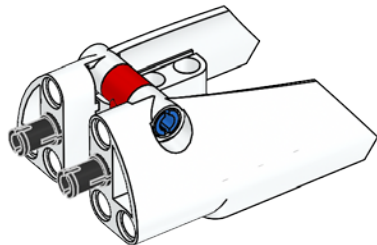
1

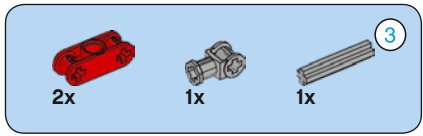


2

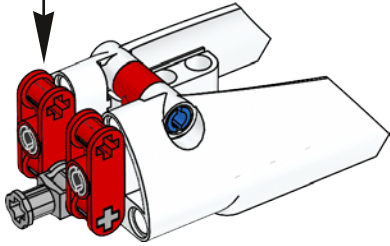
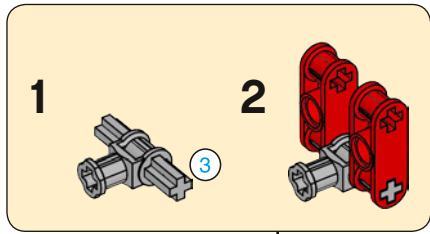


3

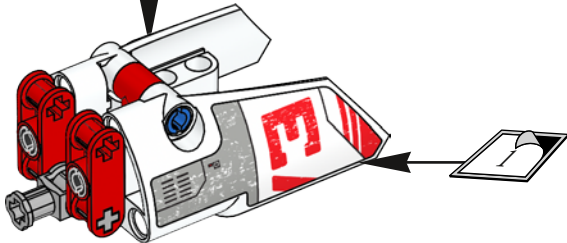
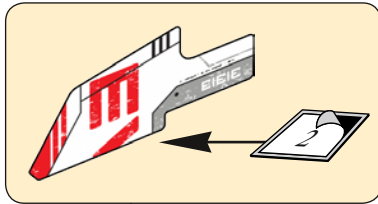


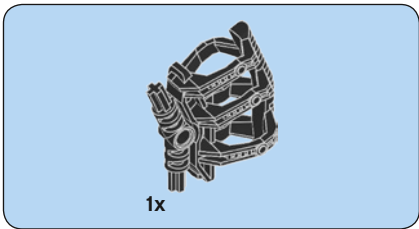


4

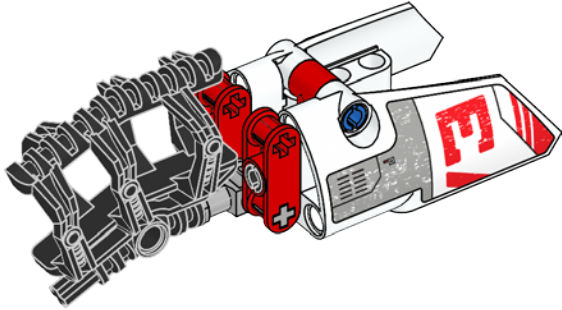


5

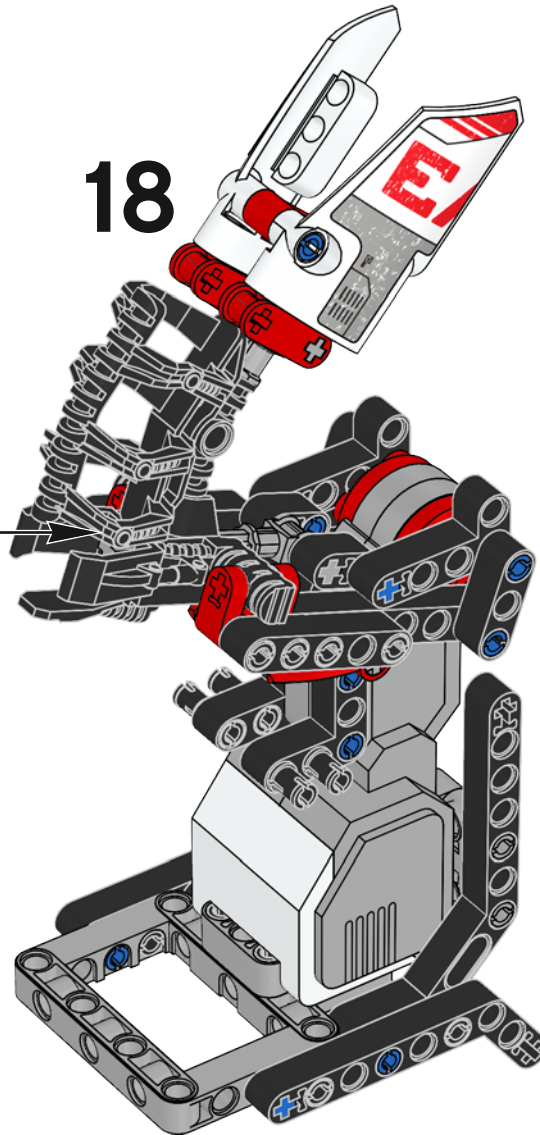


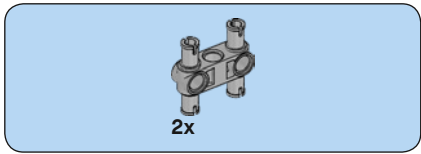


6

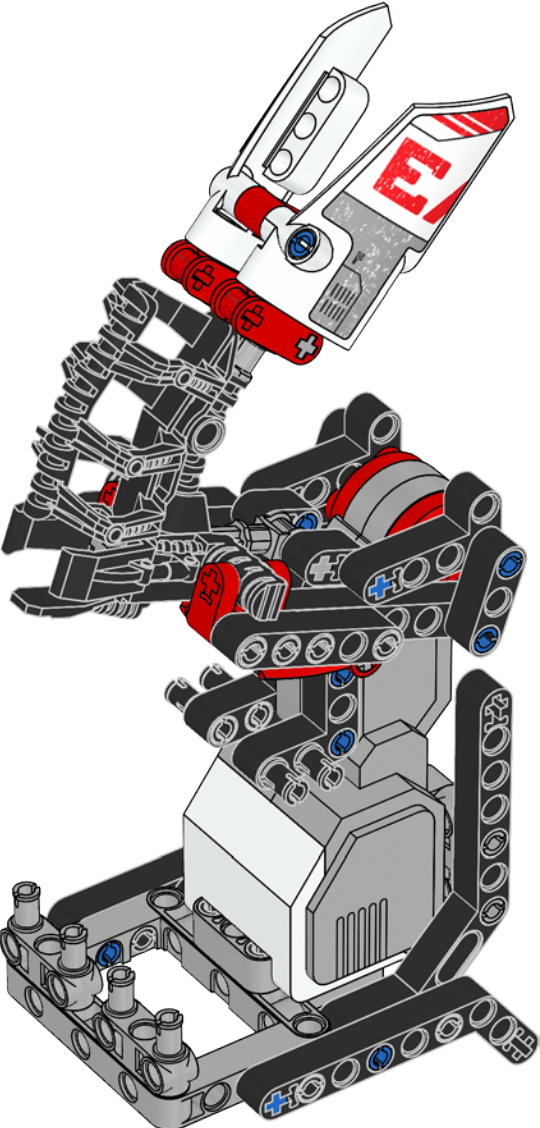


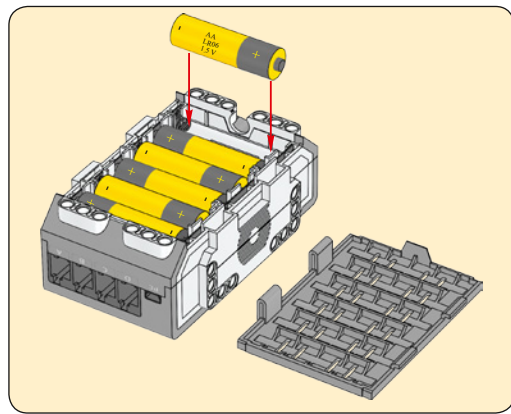
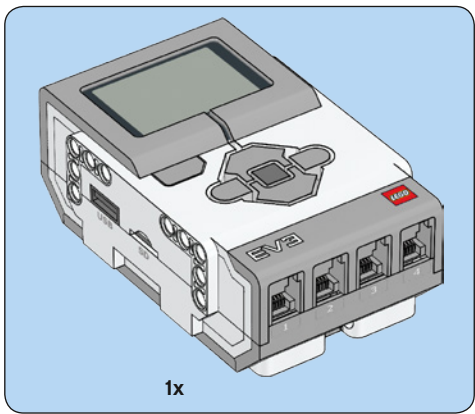
18





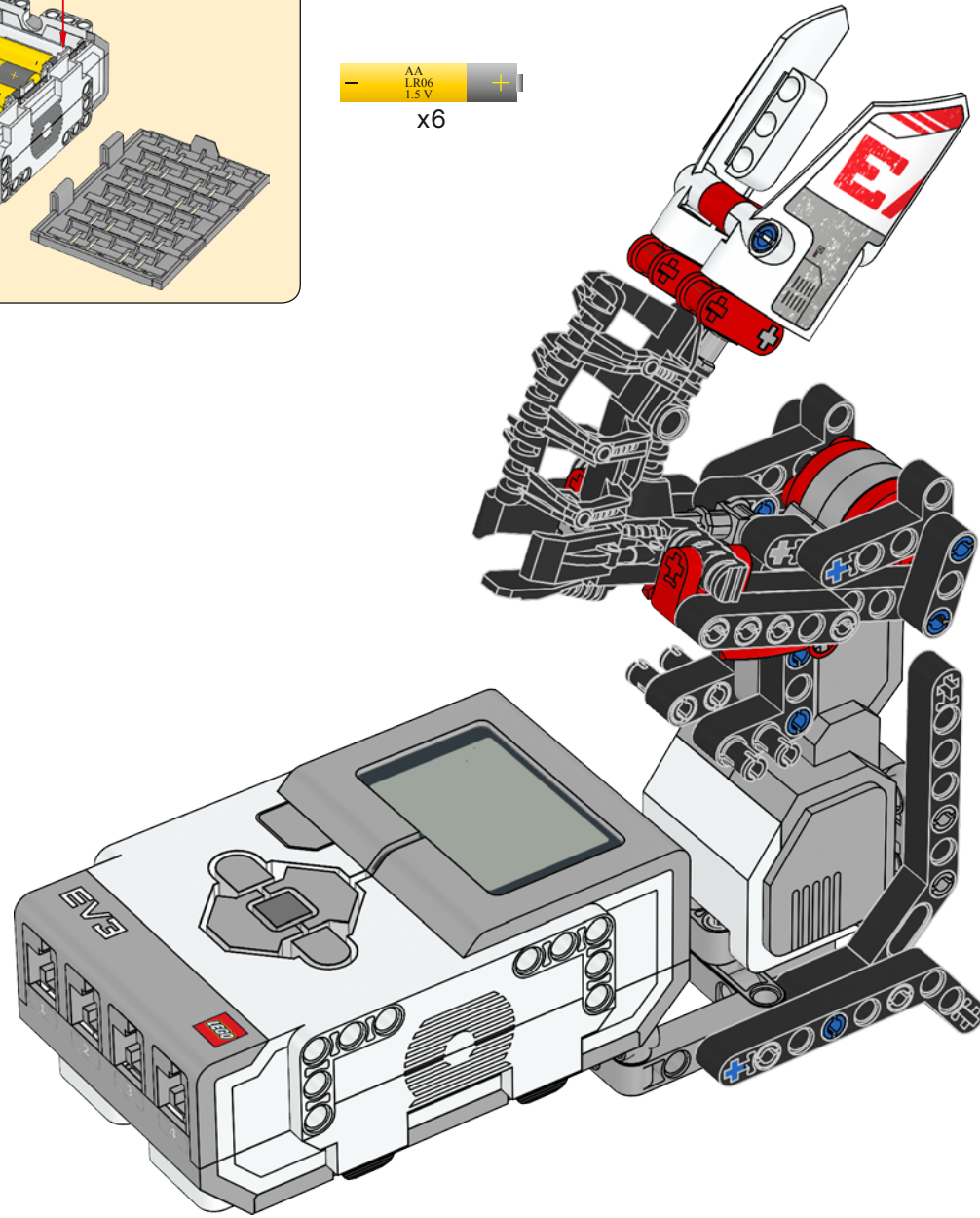
19

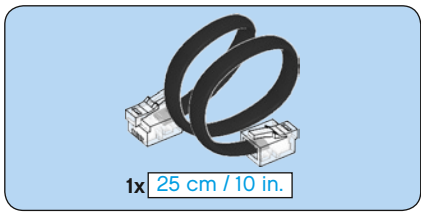




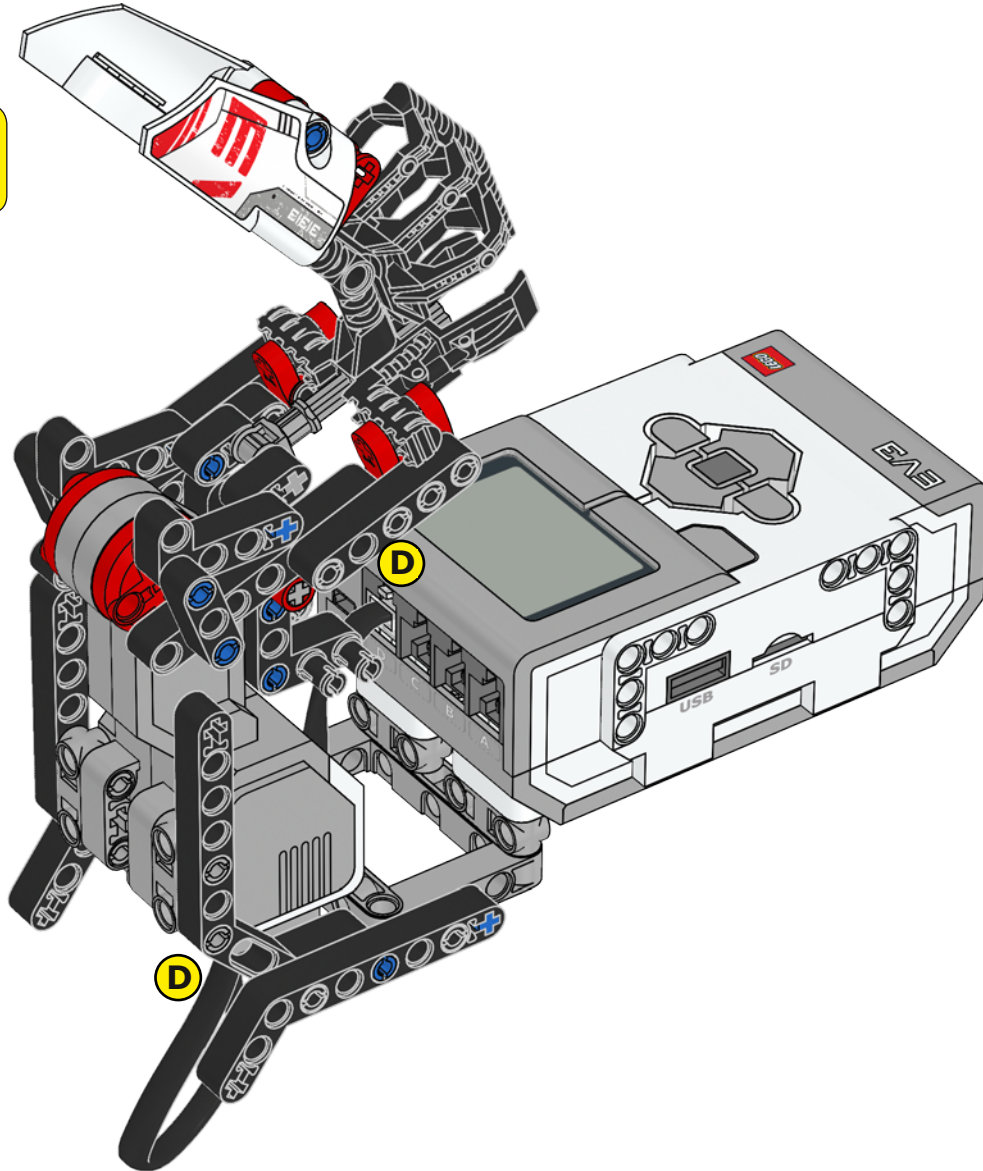
AA
LR06
1.5 V
x6

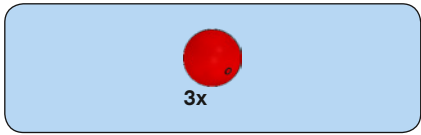
20



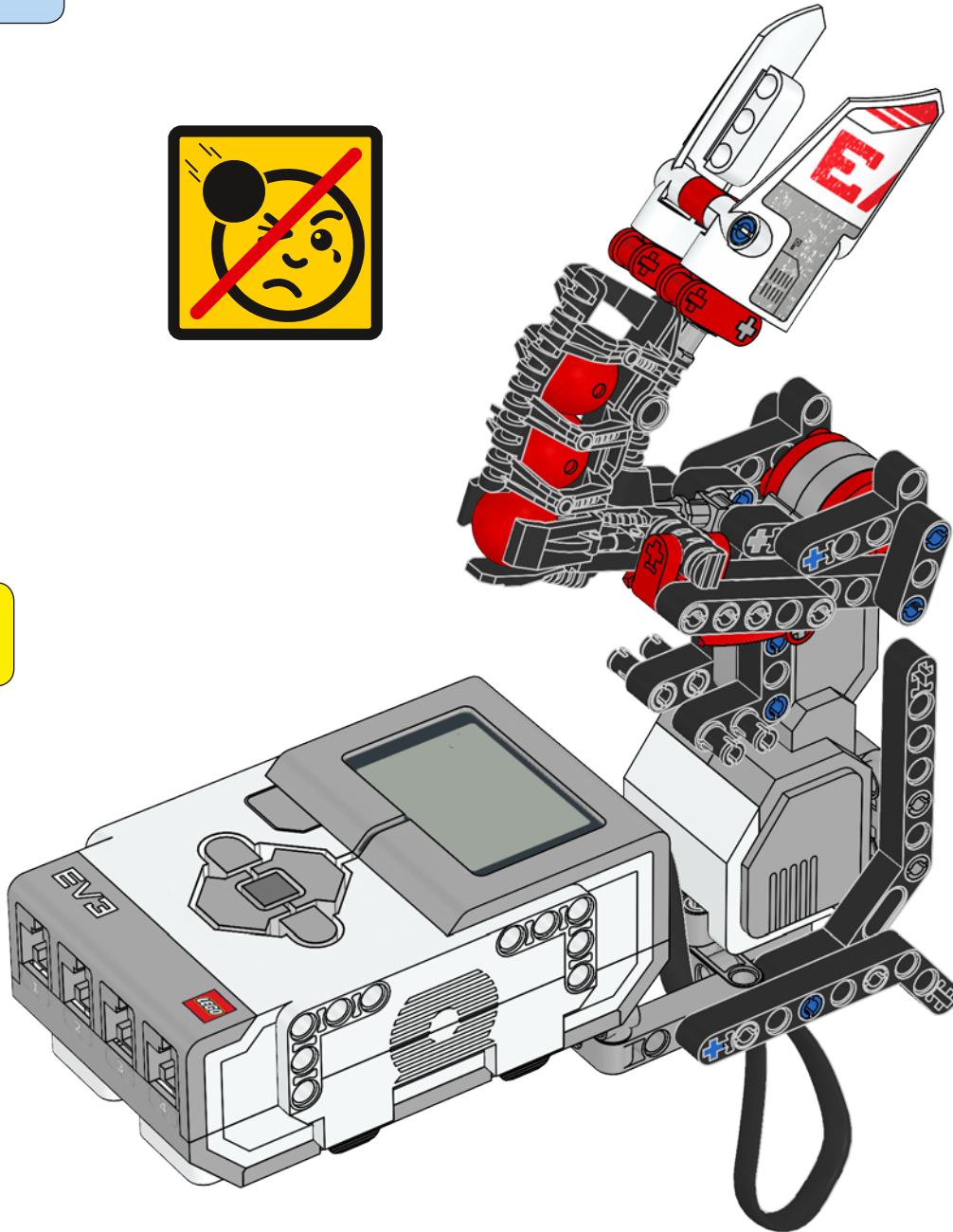


21





22





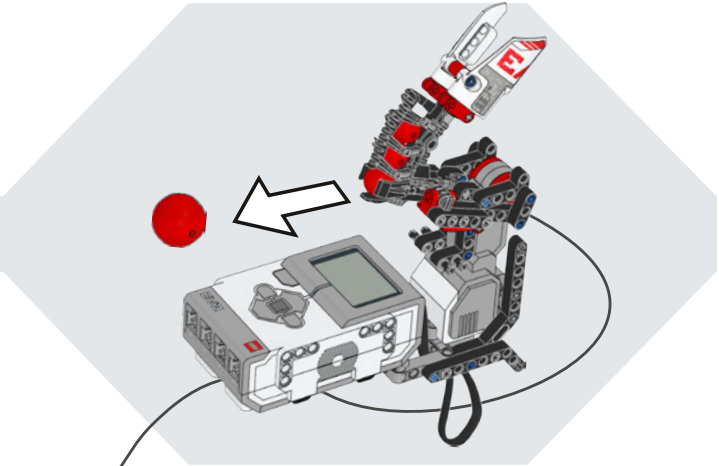
MISSION 01



LEGO® MINDSTORMS®
EV3 Programmer
The LEGO Group

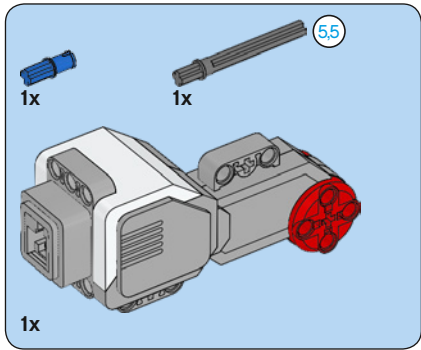
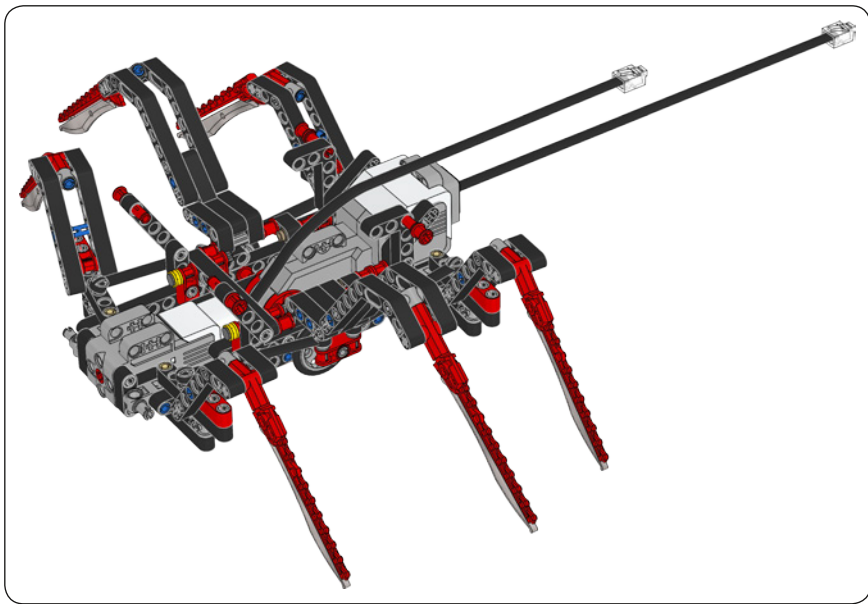


LEGO.com/mindstorms/software

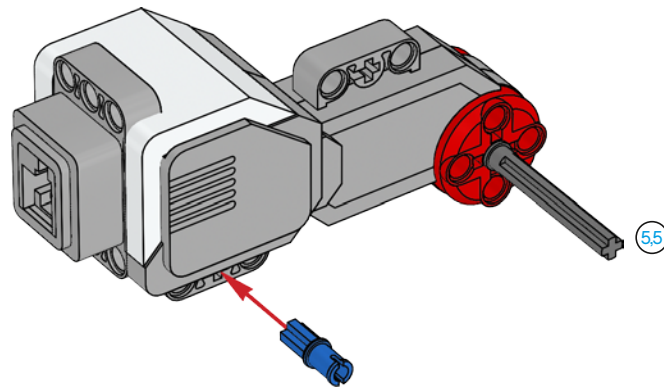


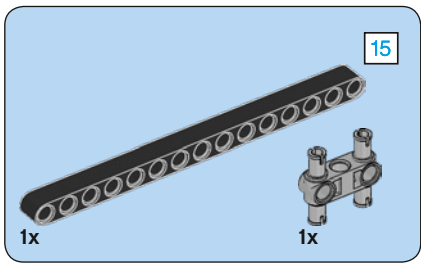
MISSION 02



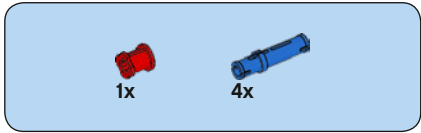
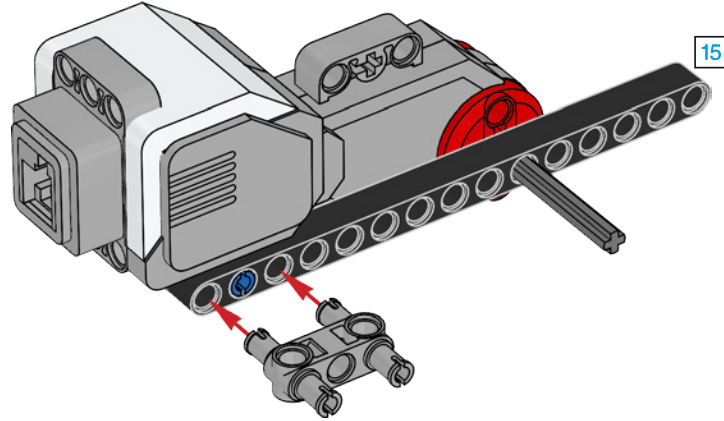


1

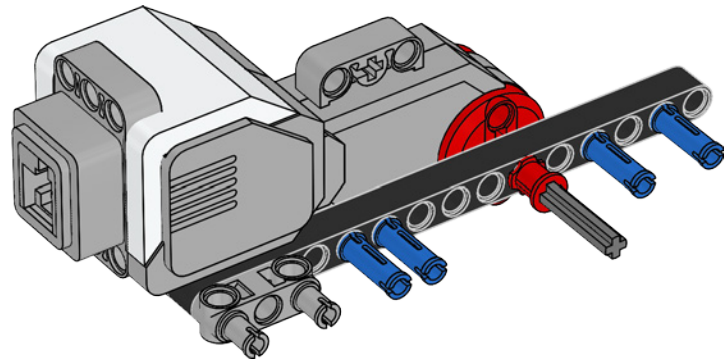


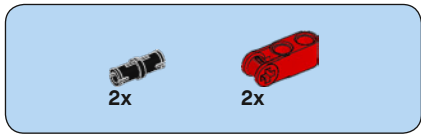


2

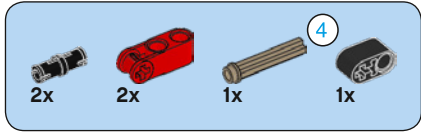
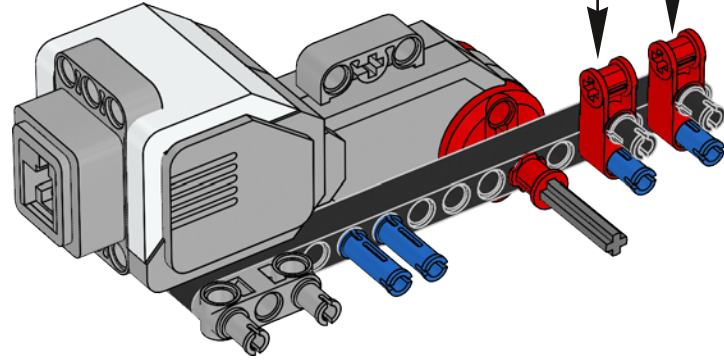
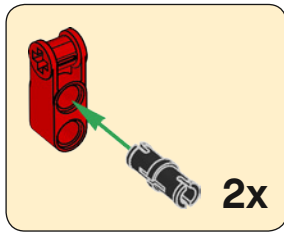


3

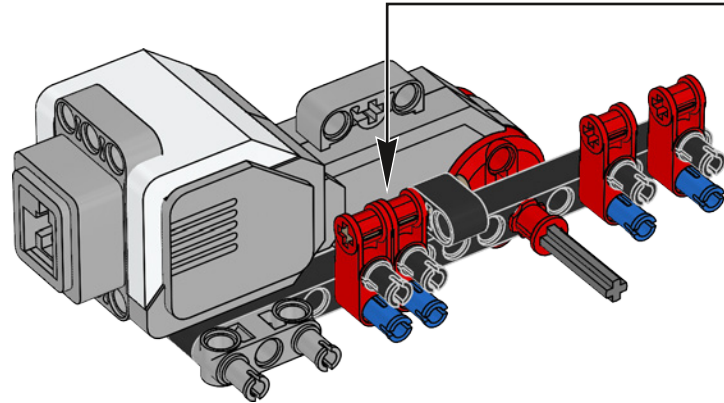
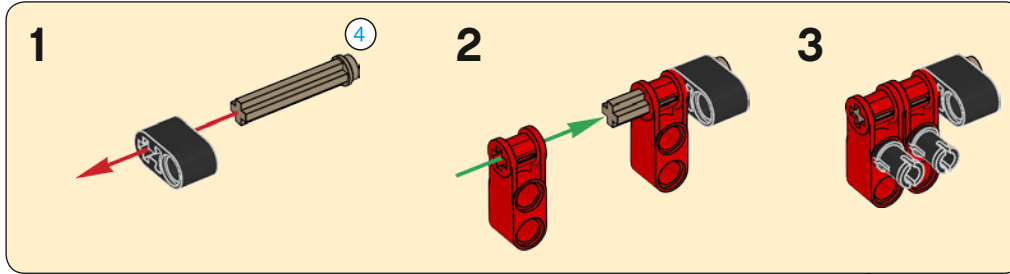


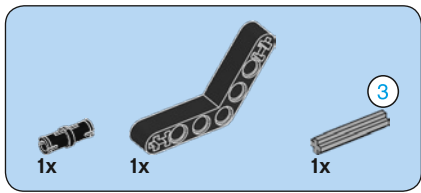


4

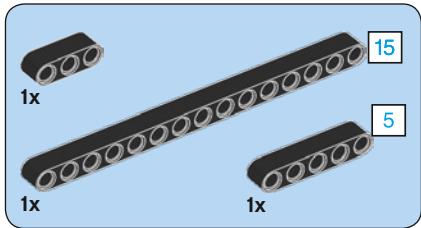
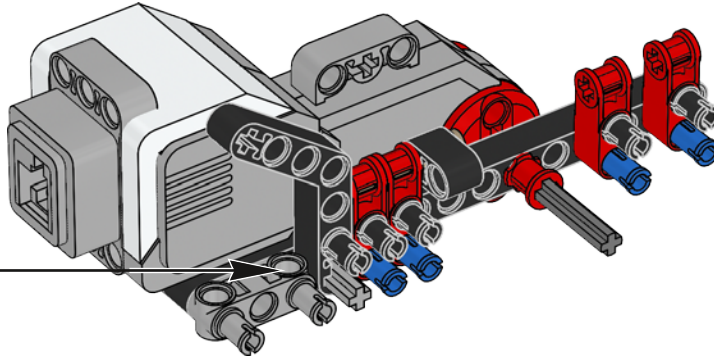
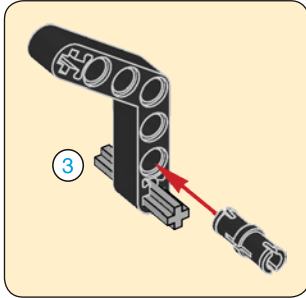


5

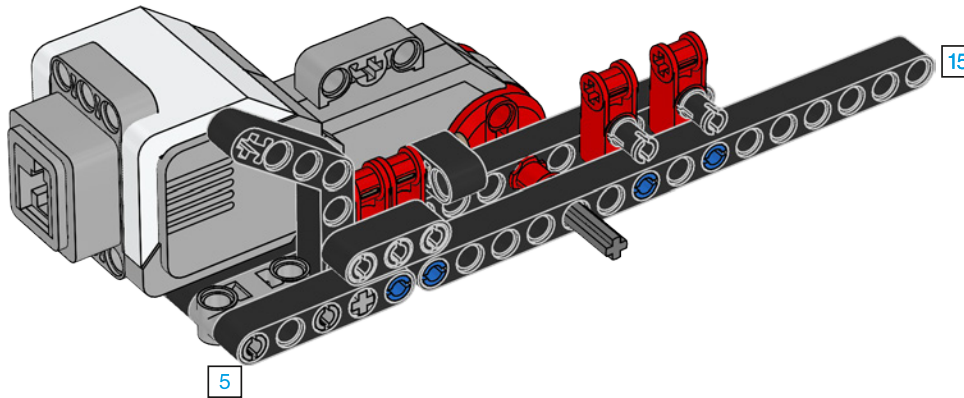


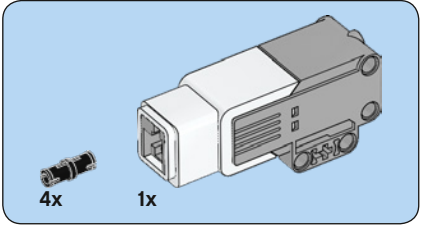
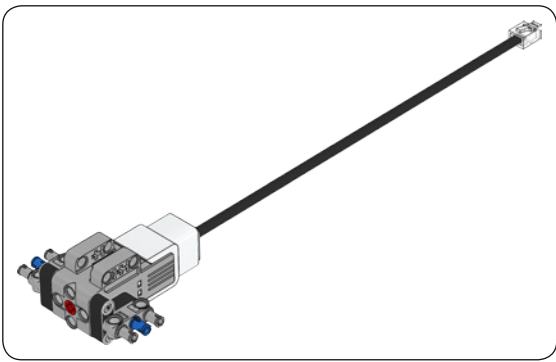


6

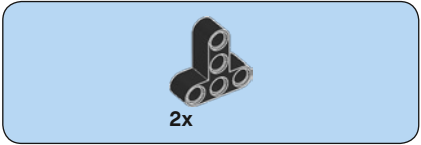
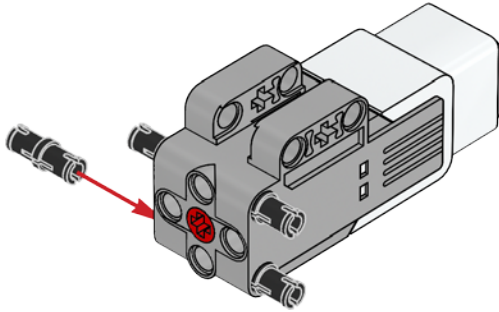


7

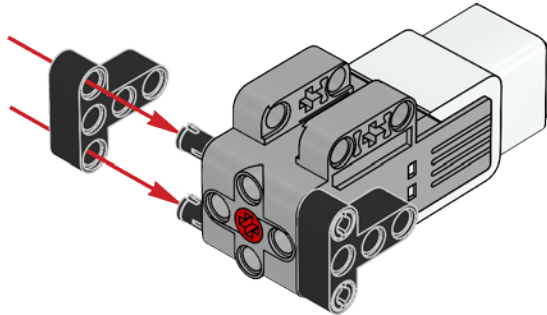


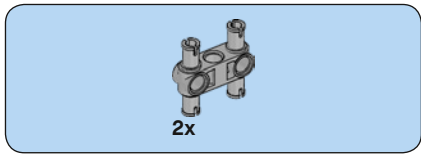


1

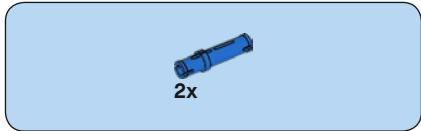
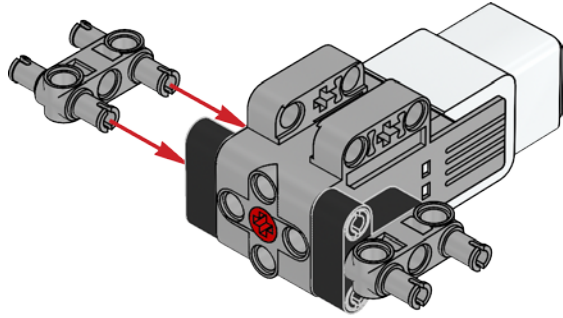


2

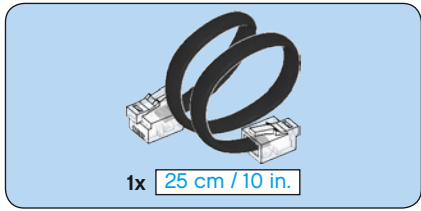
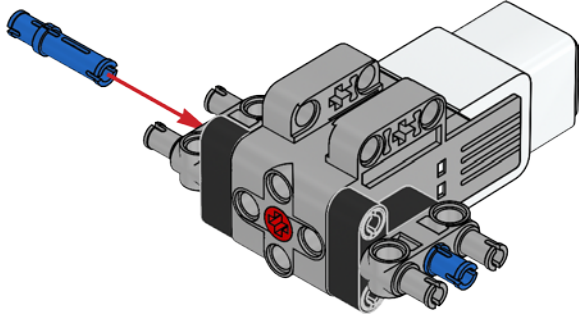




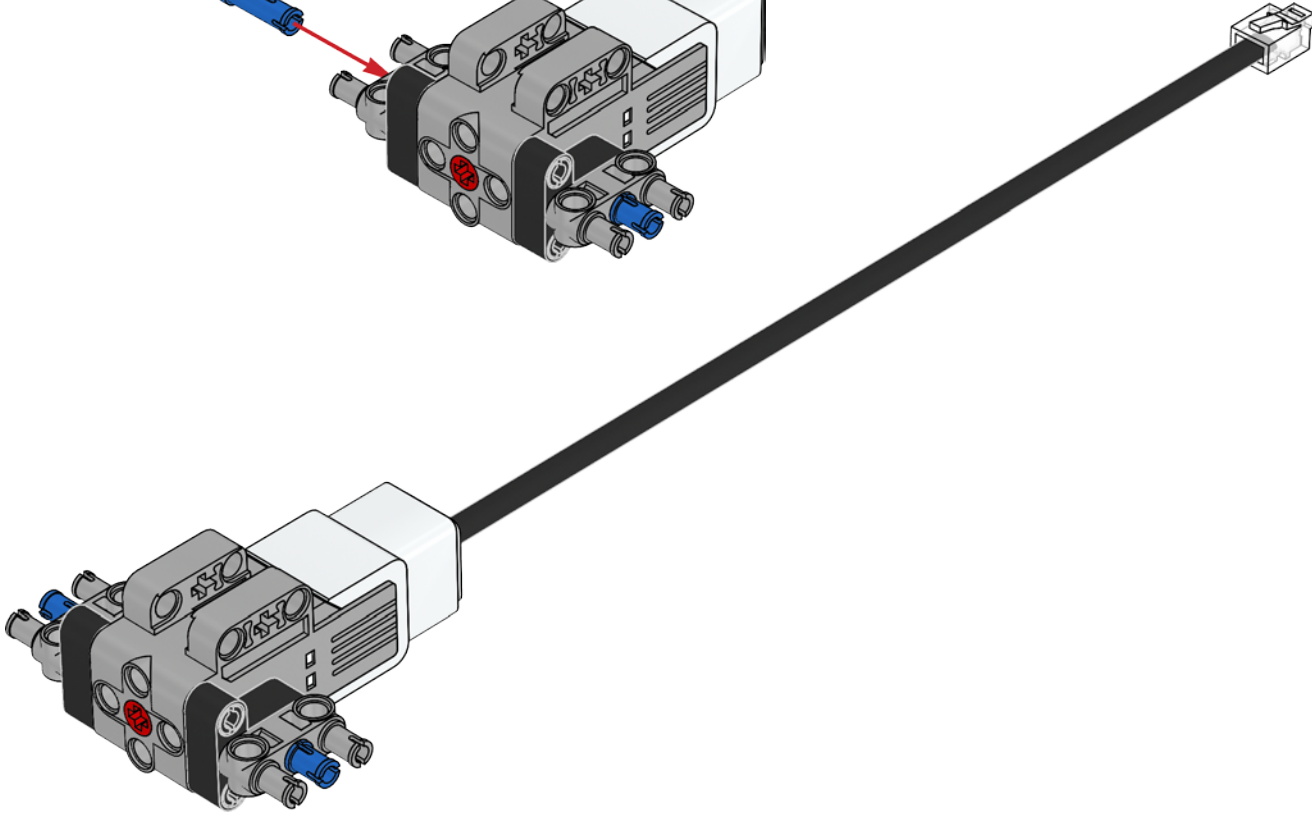
3



4

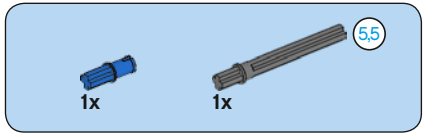
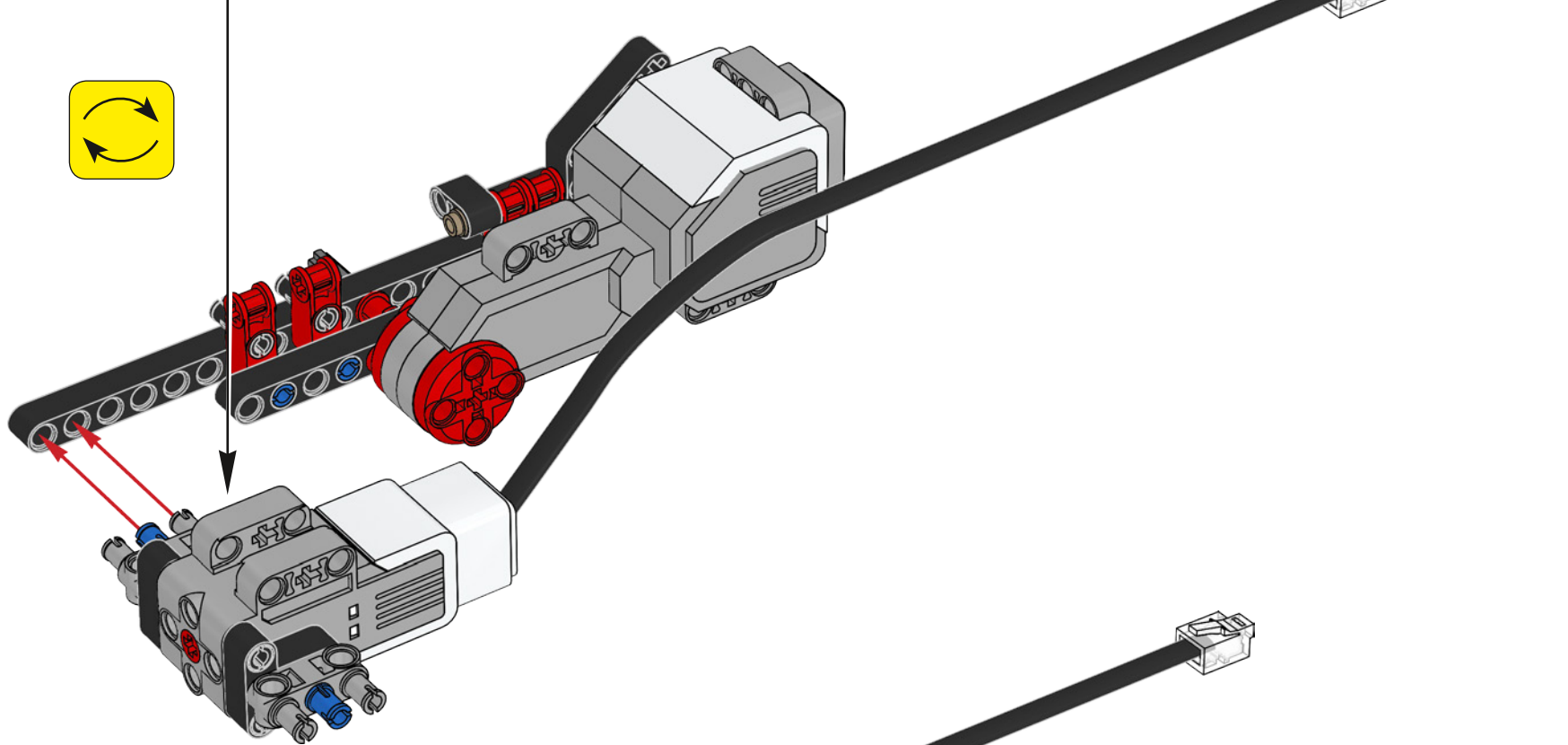


5

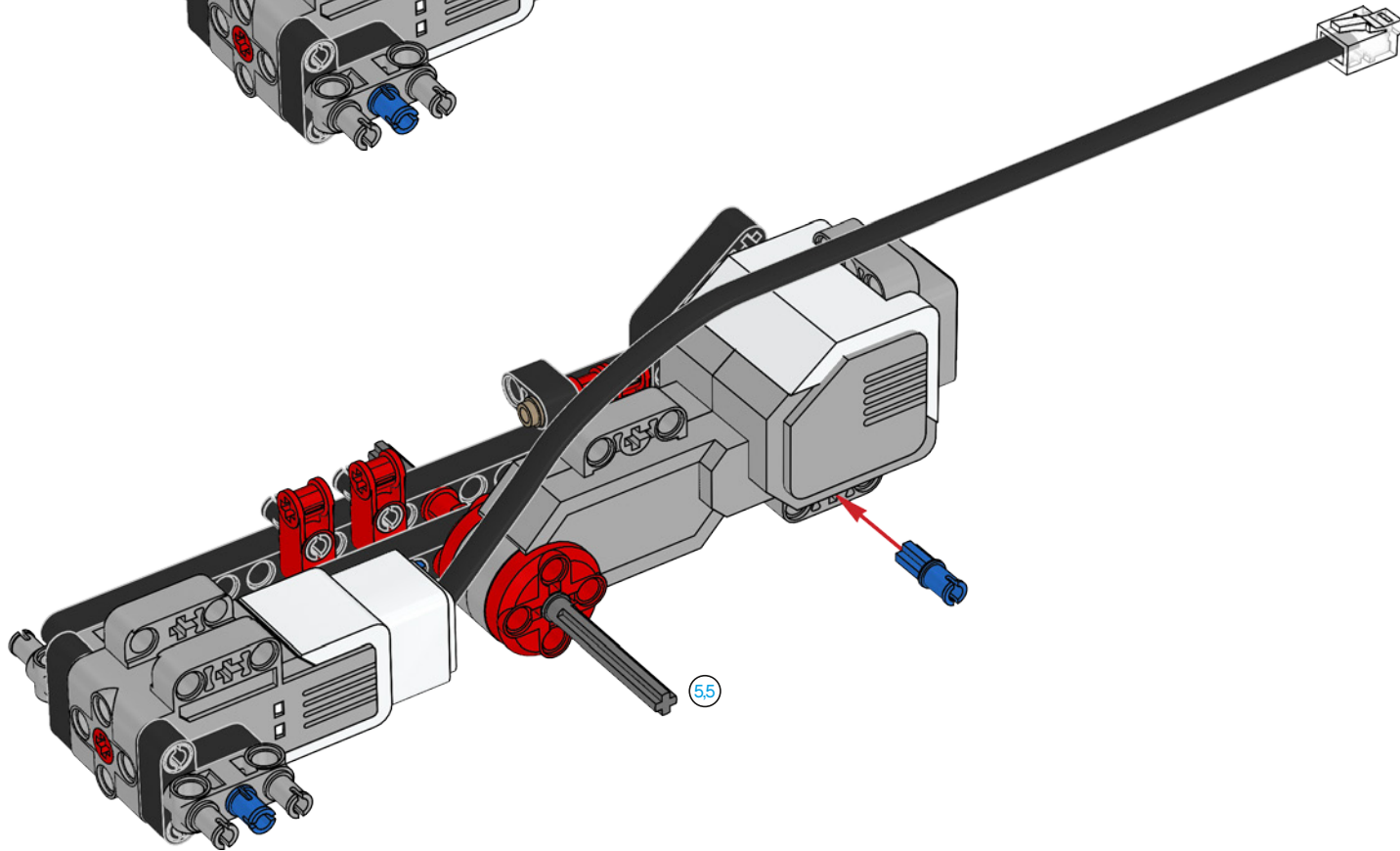


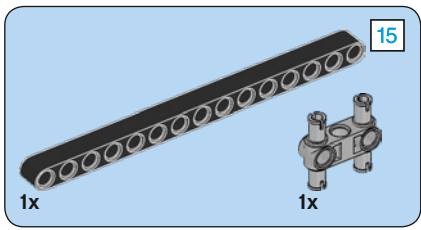


8

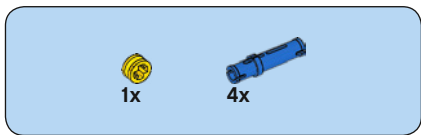
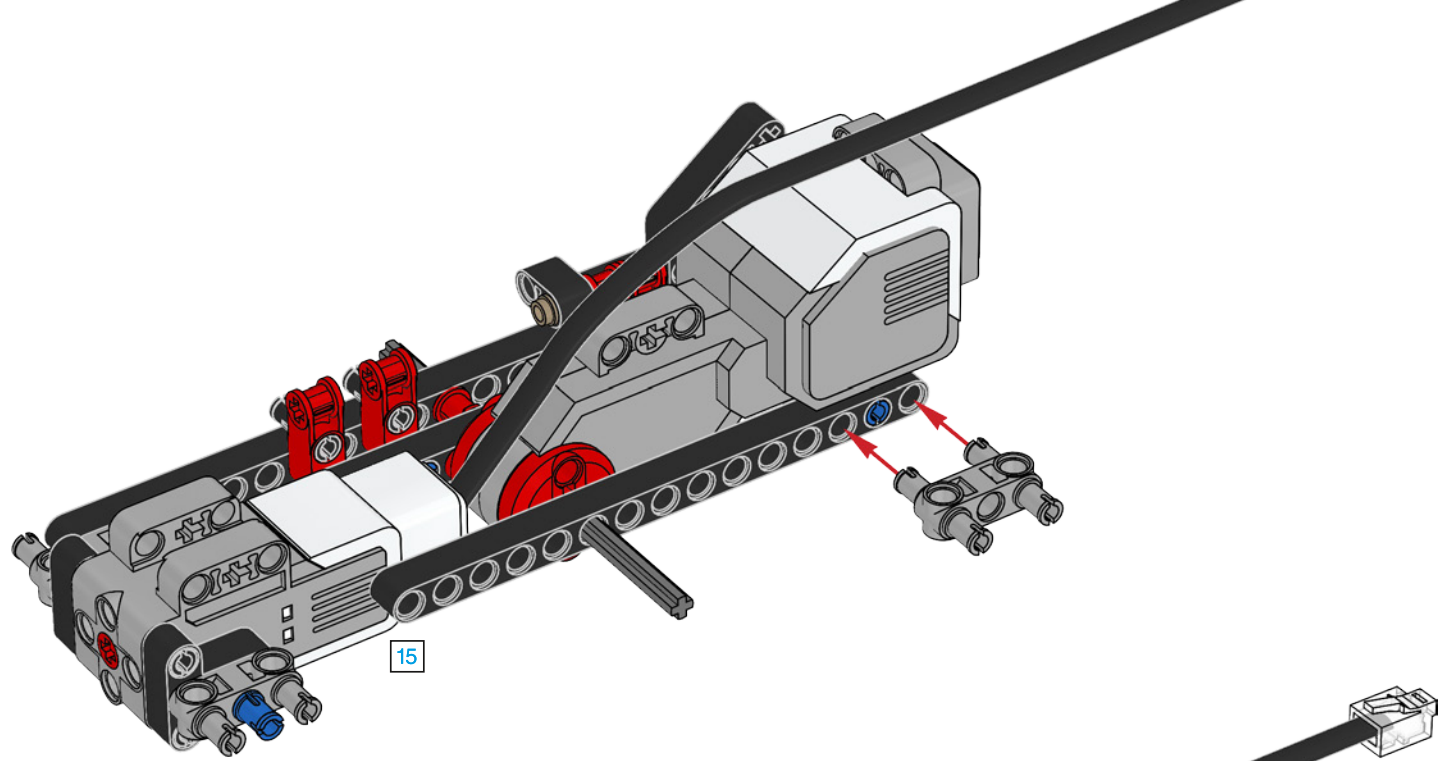


9

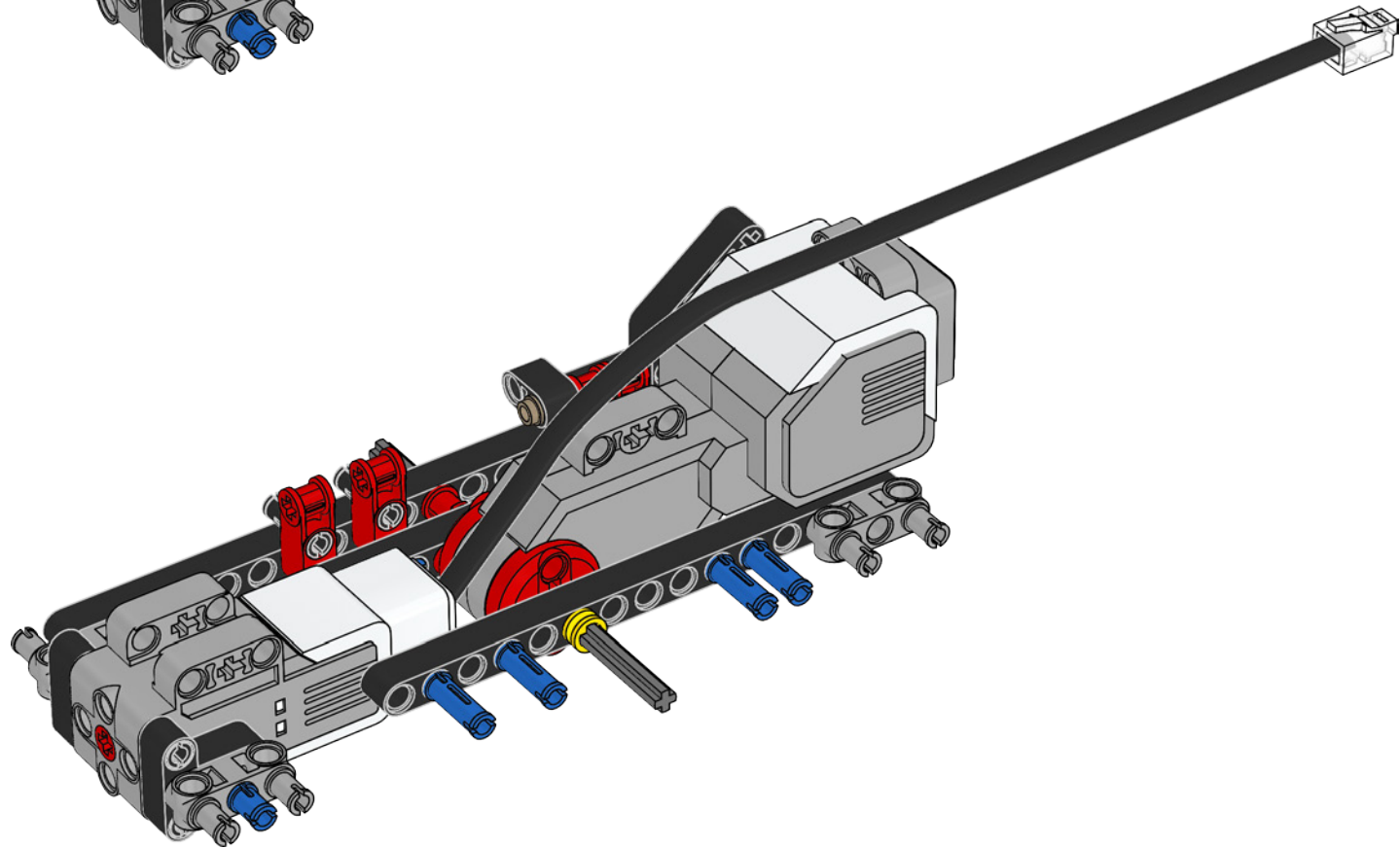


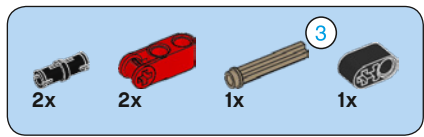


10

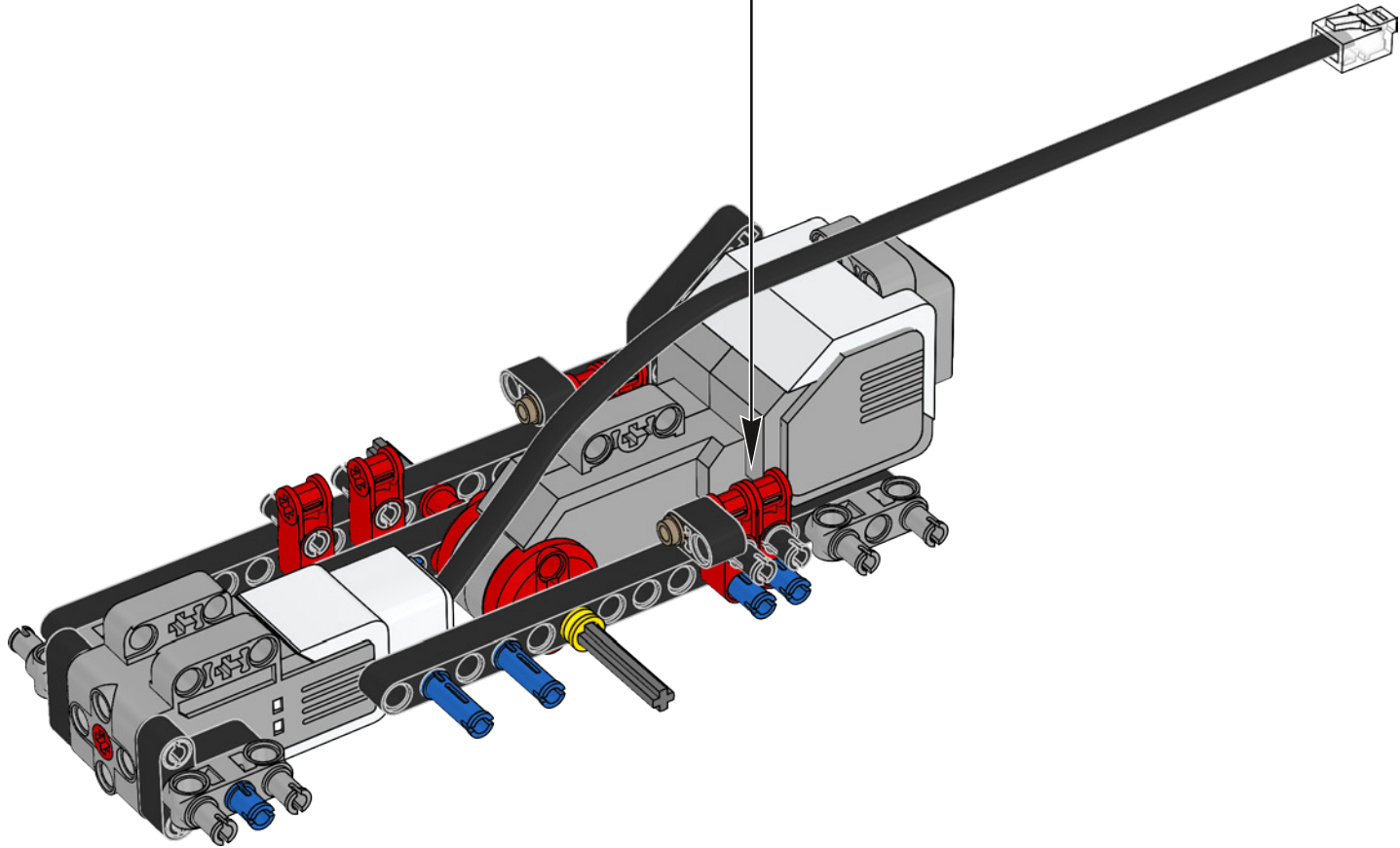
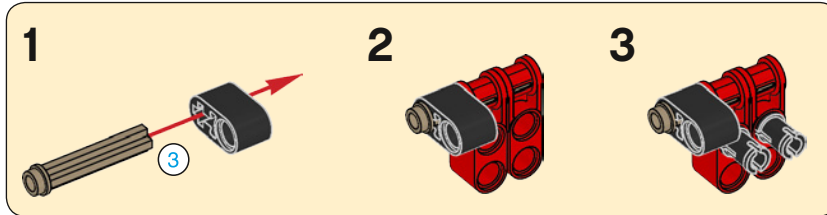


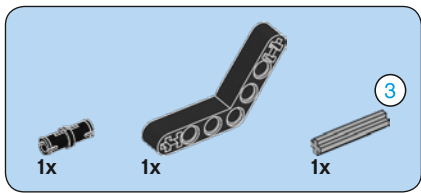
11



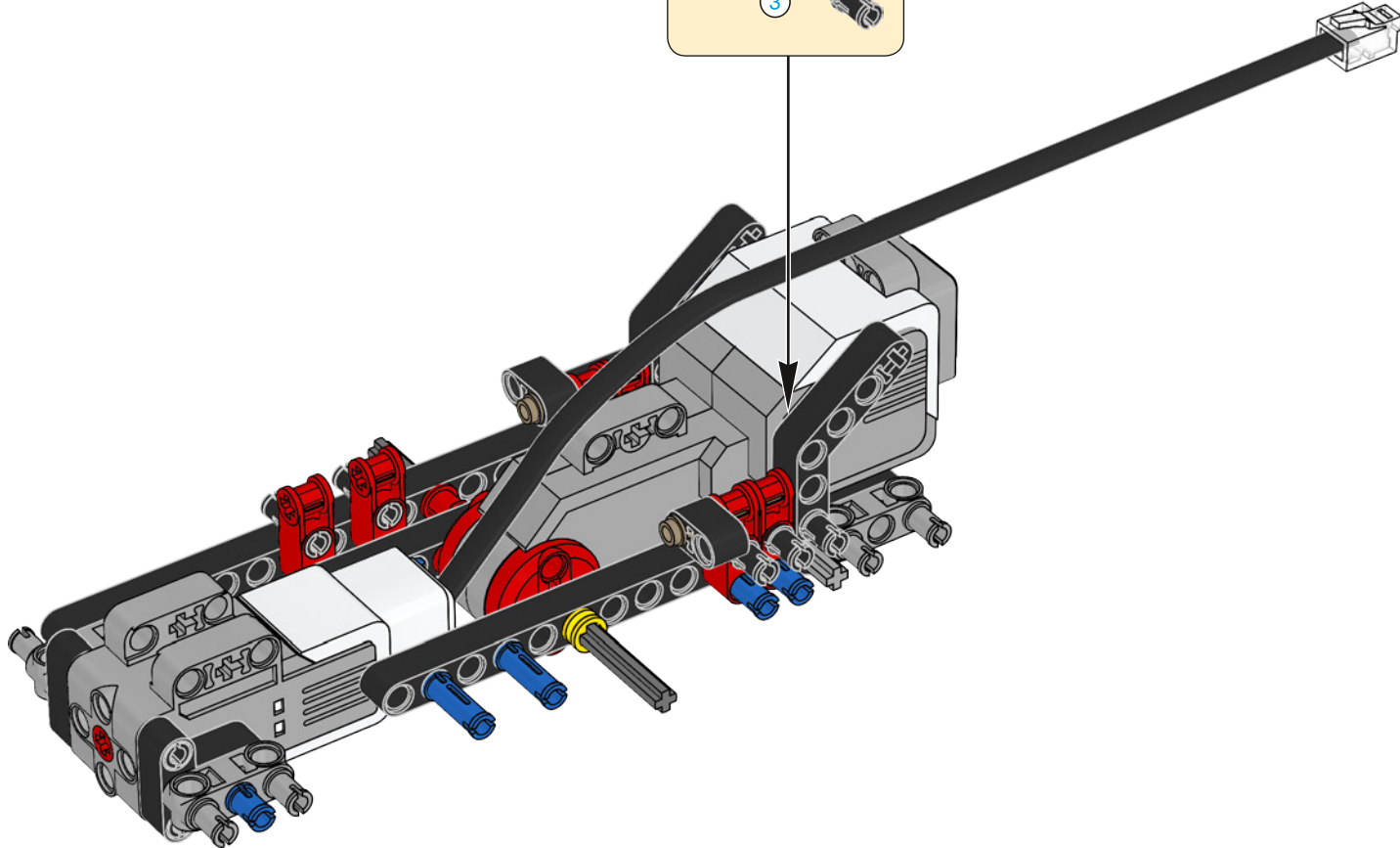
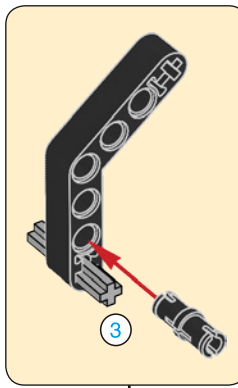


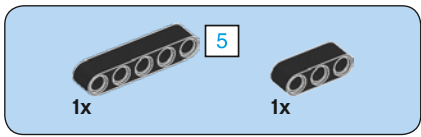
12



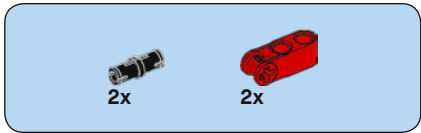
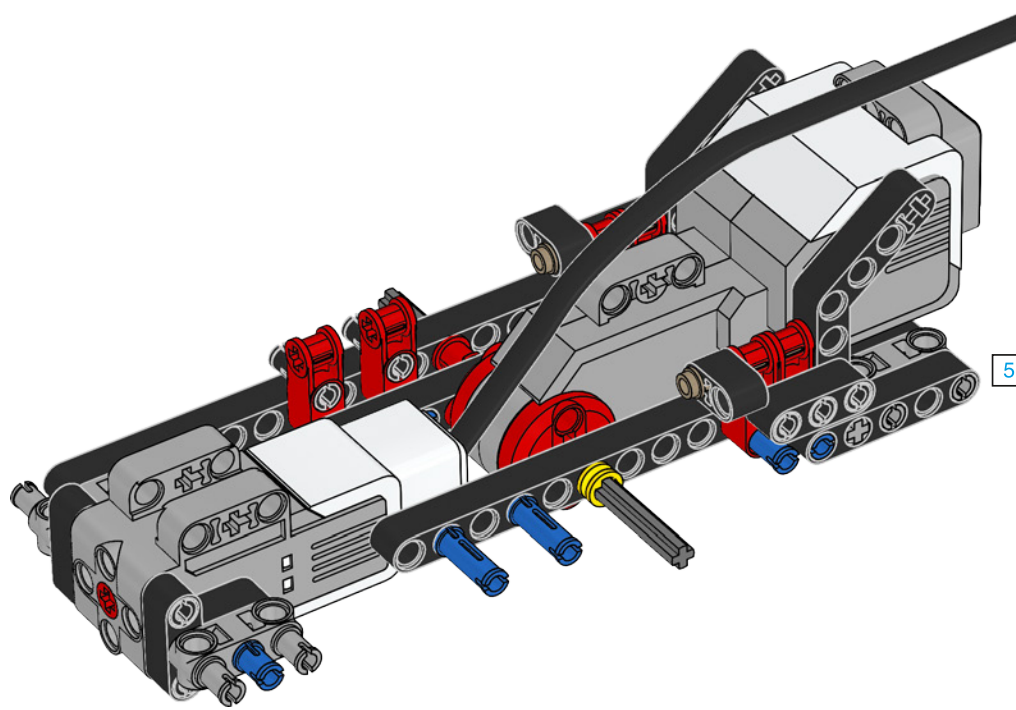


13

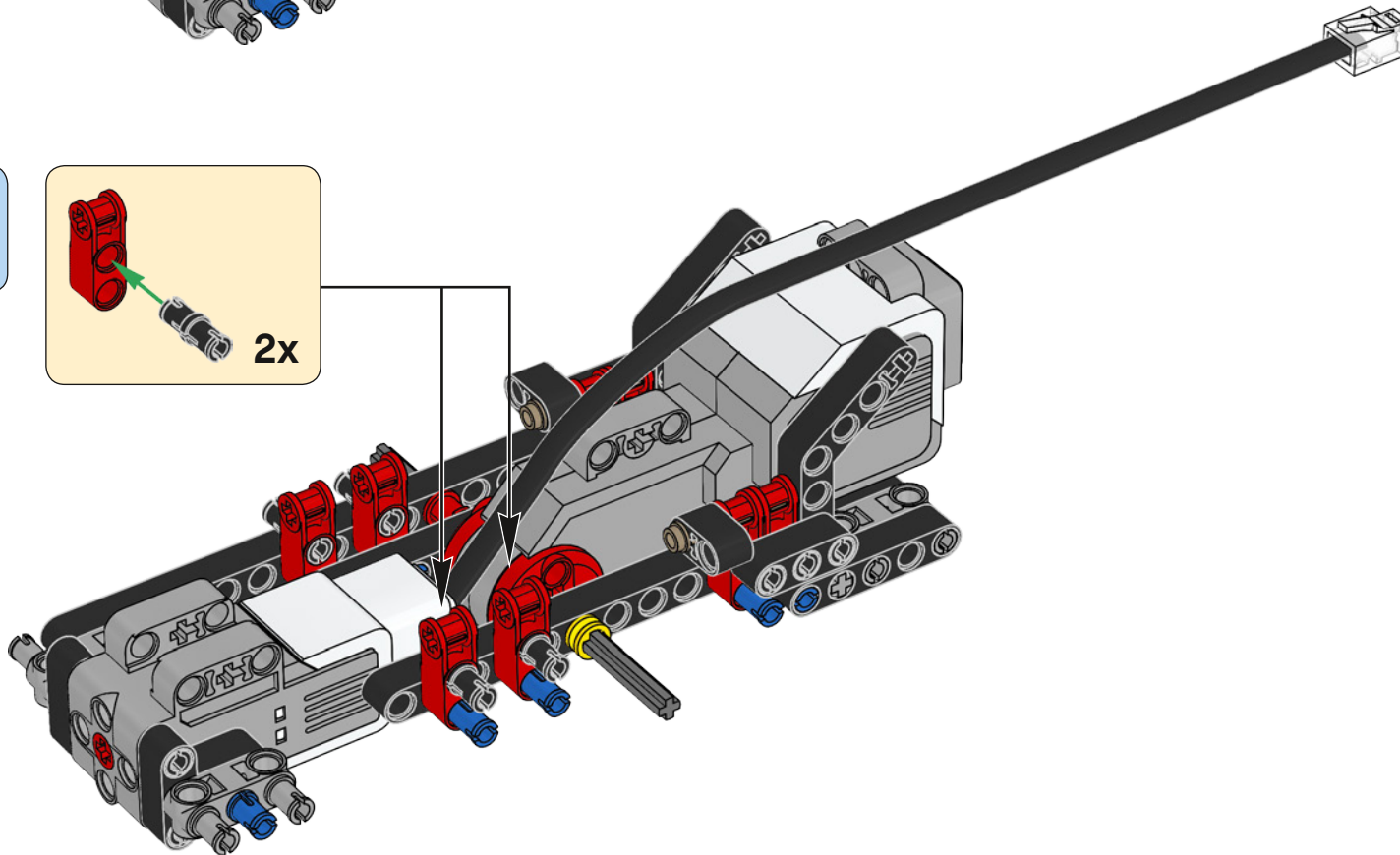
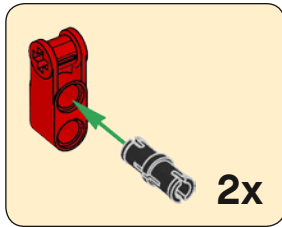


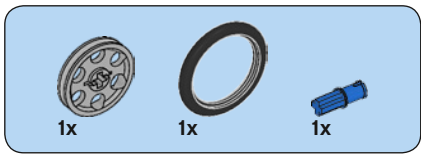


14

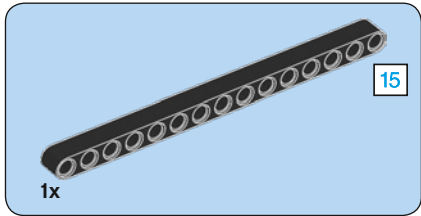
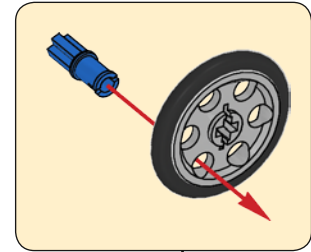
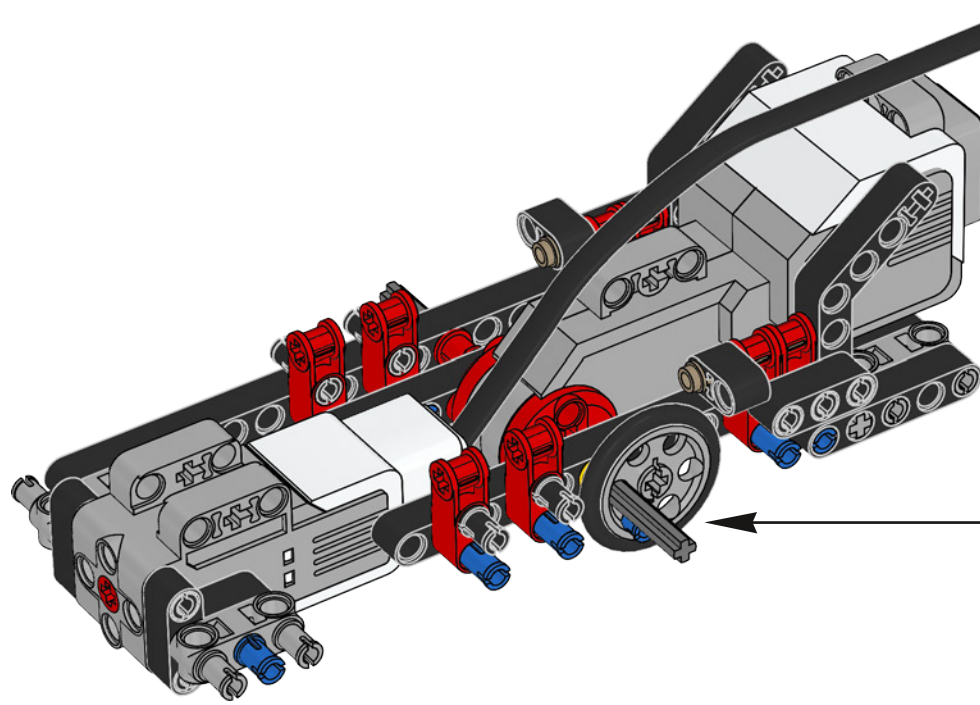


15

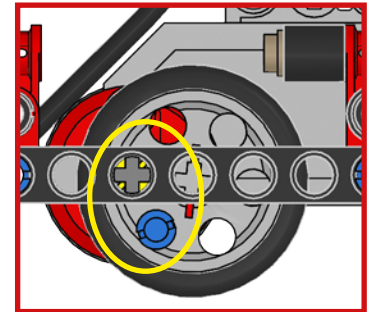
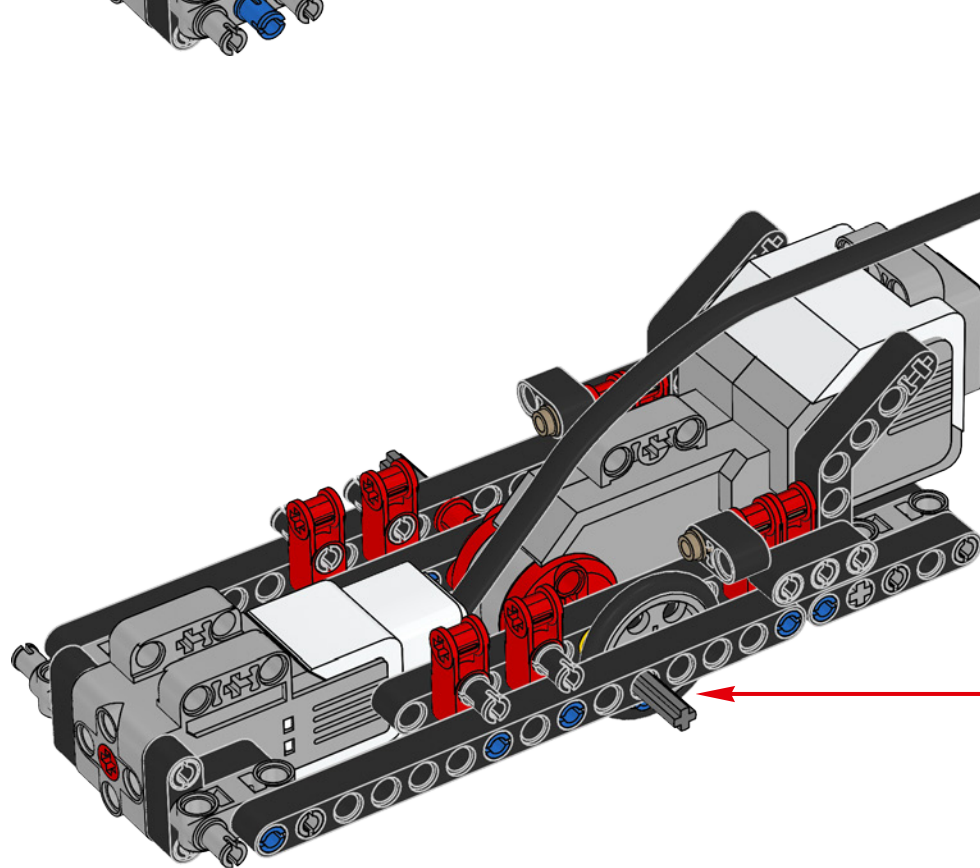




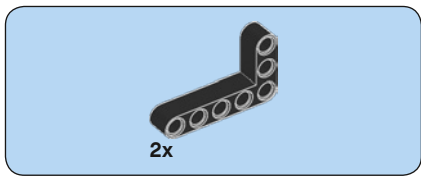
16



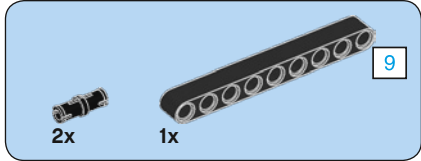
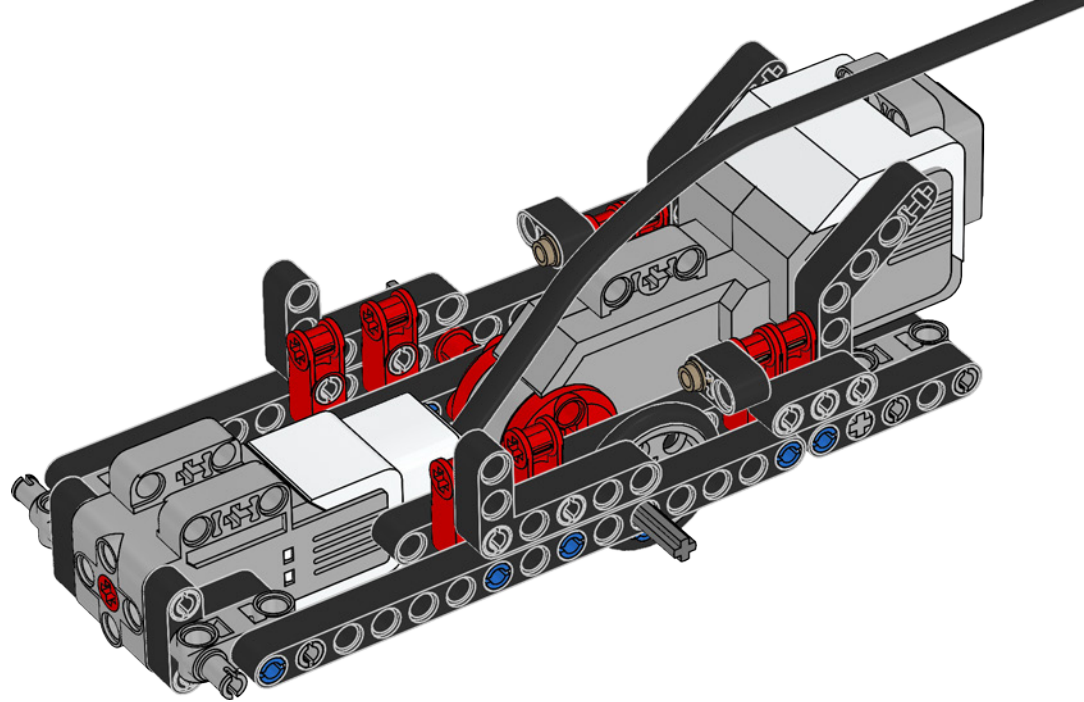
17



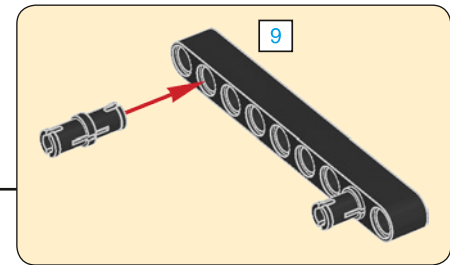
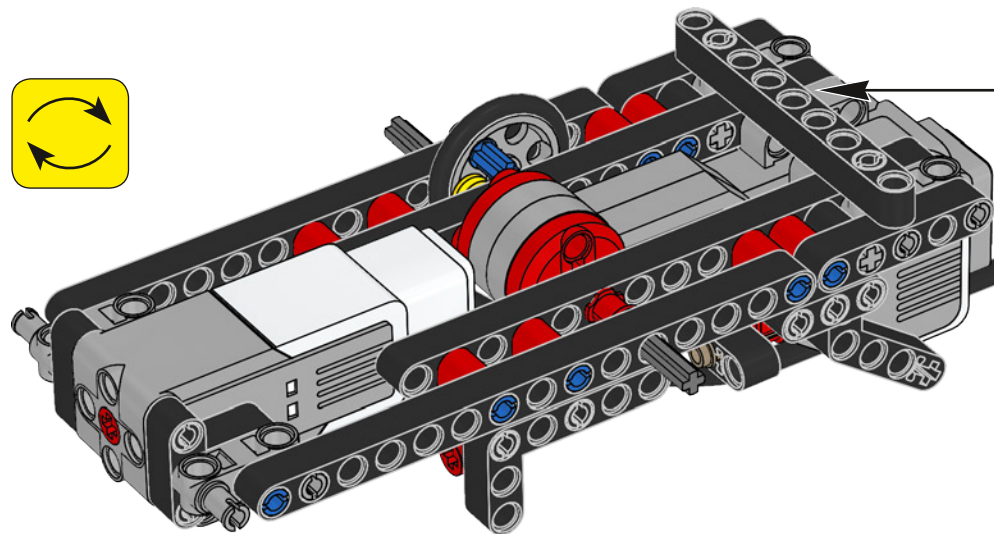
15

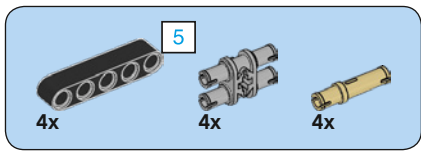


18

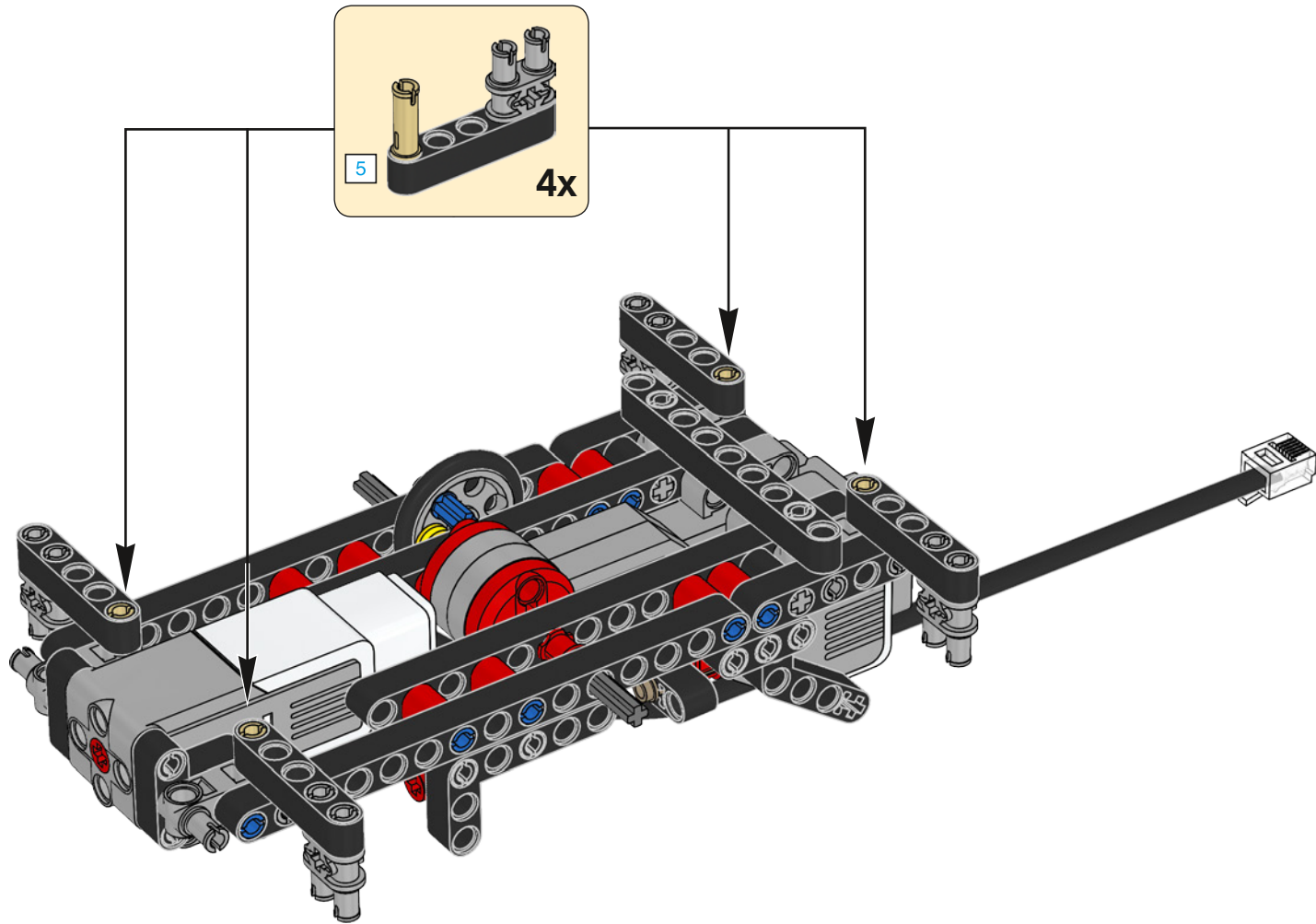


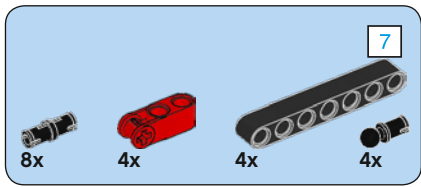
19



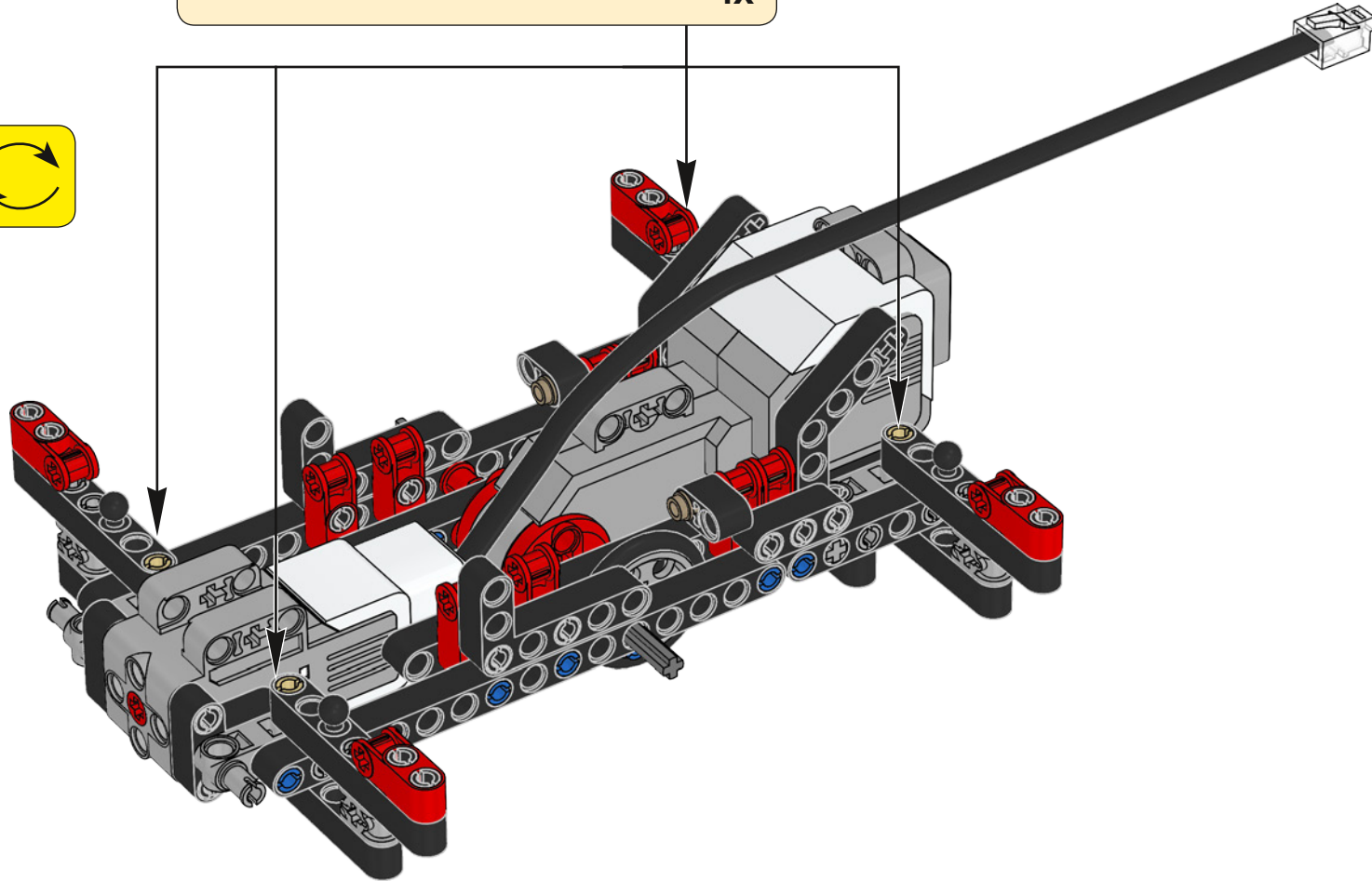
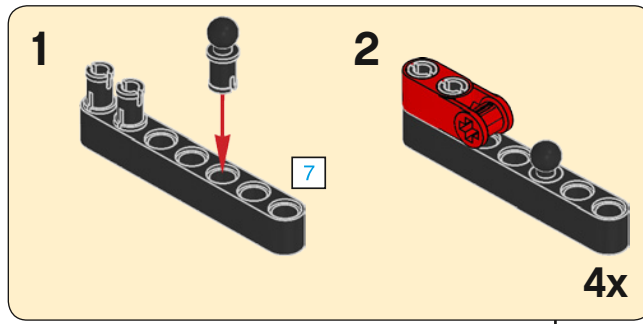


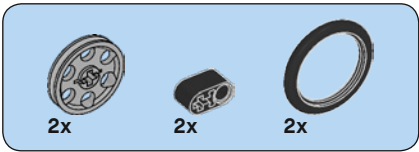
20



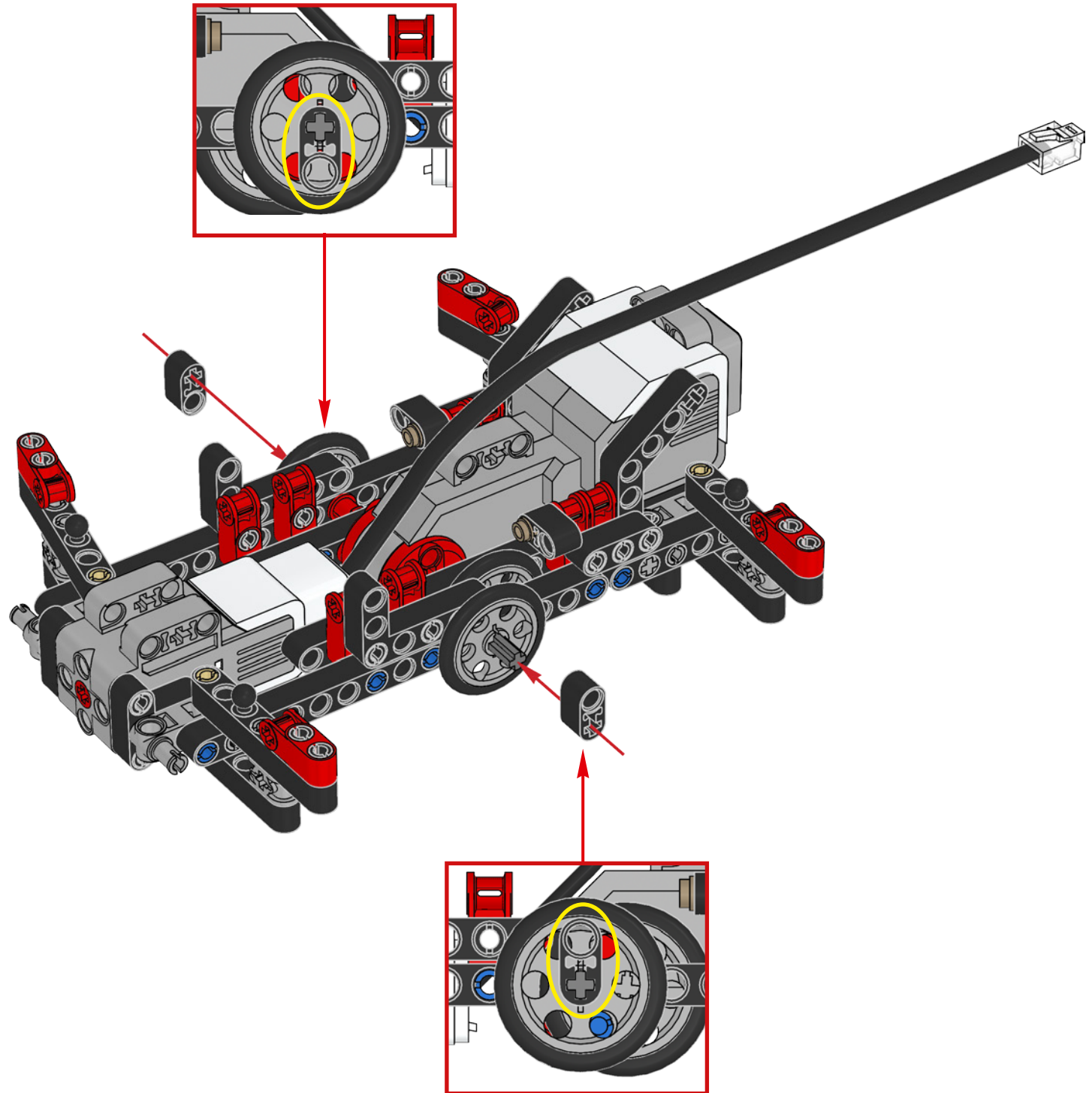


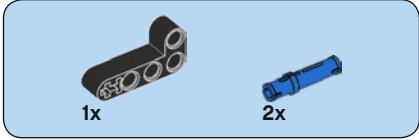
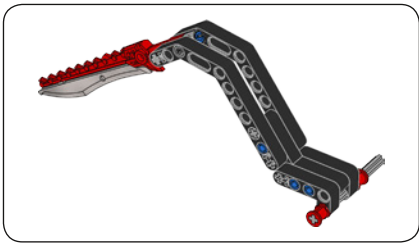
21



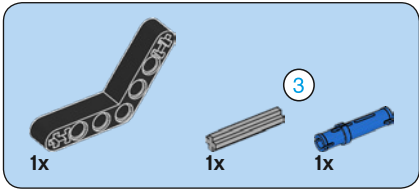


22

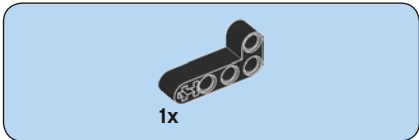
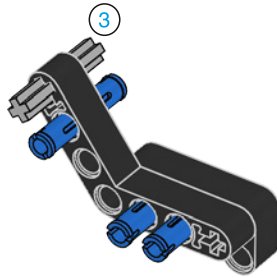




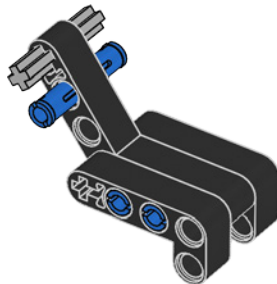
1

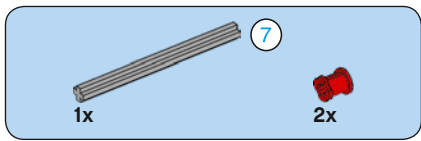


2

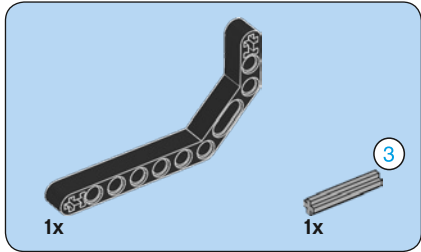
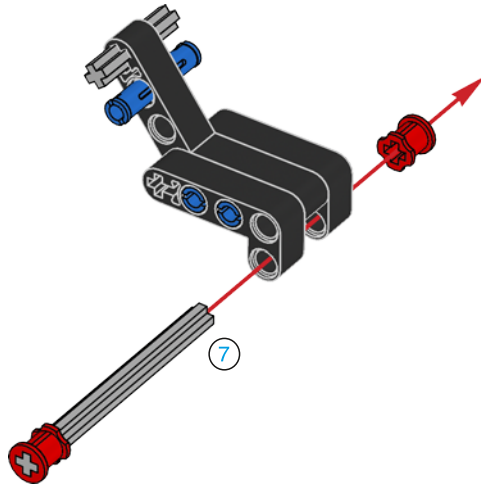


3

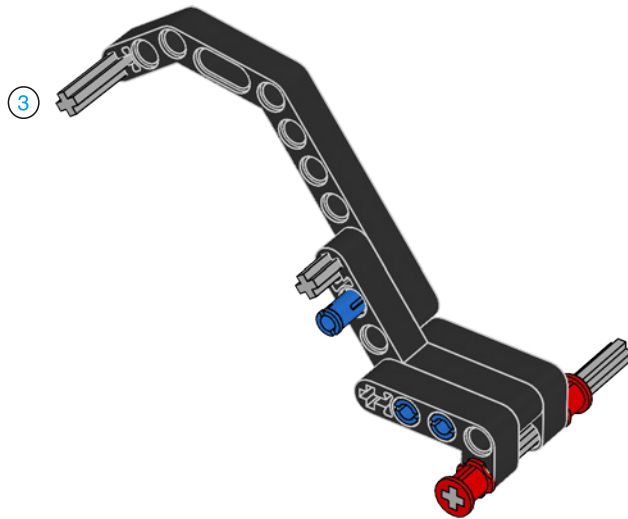


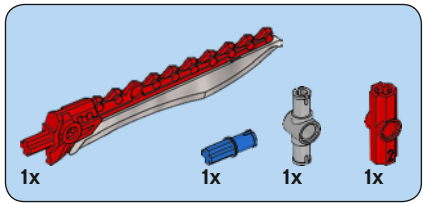


4

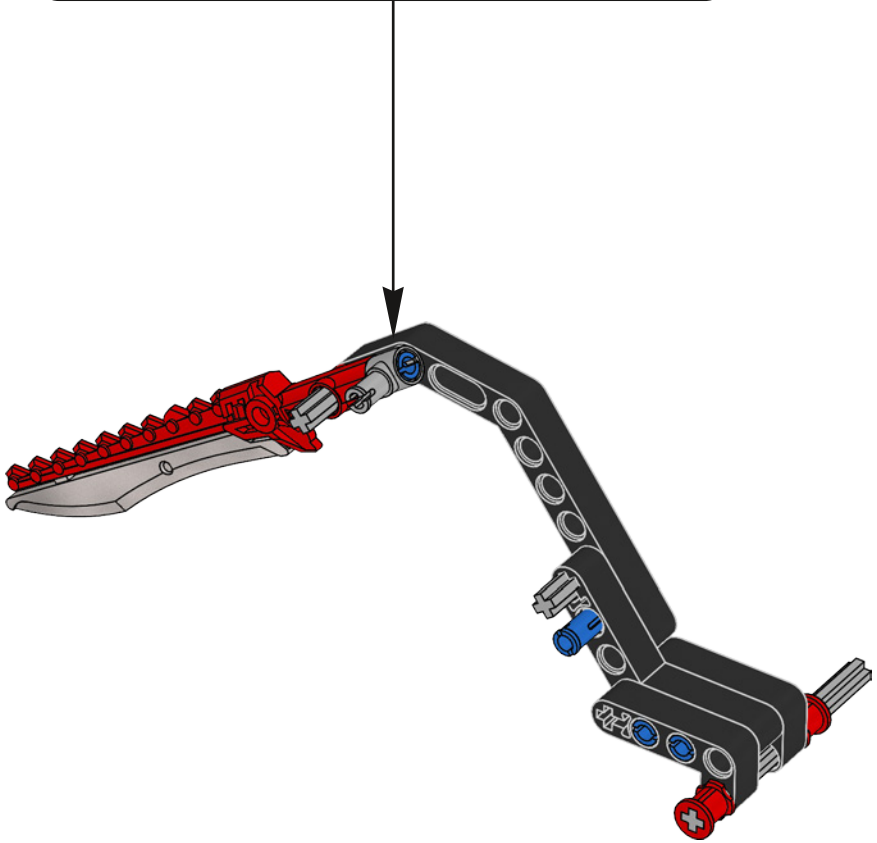
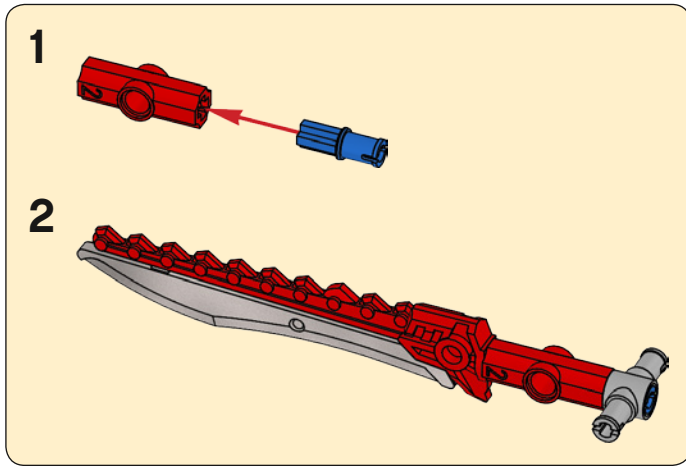


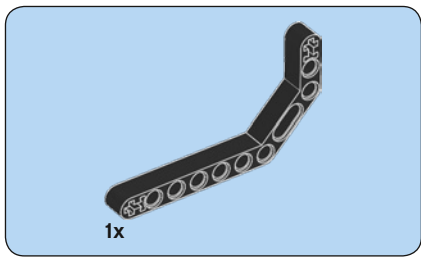
5



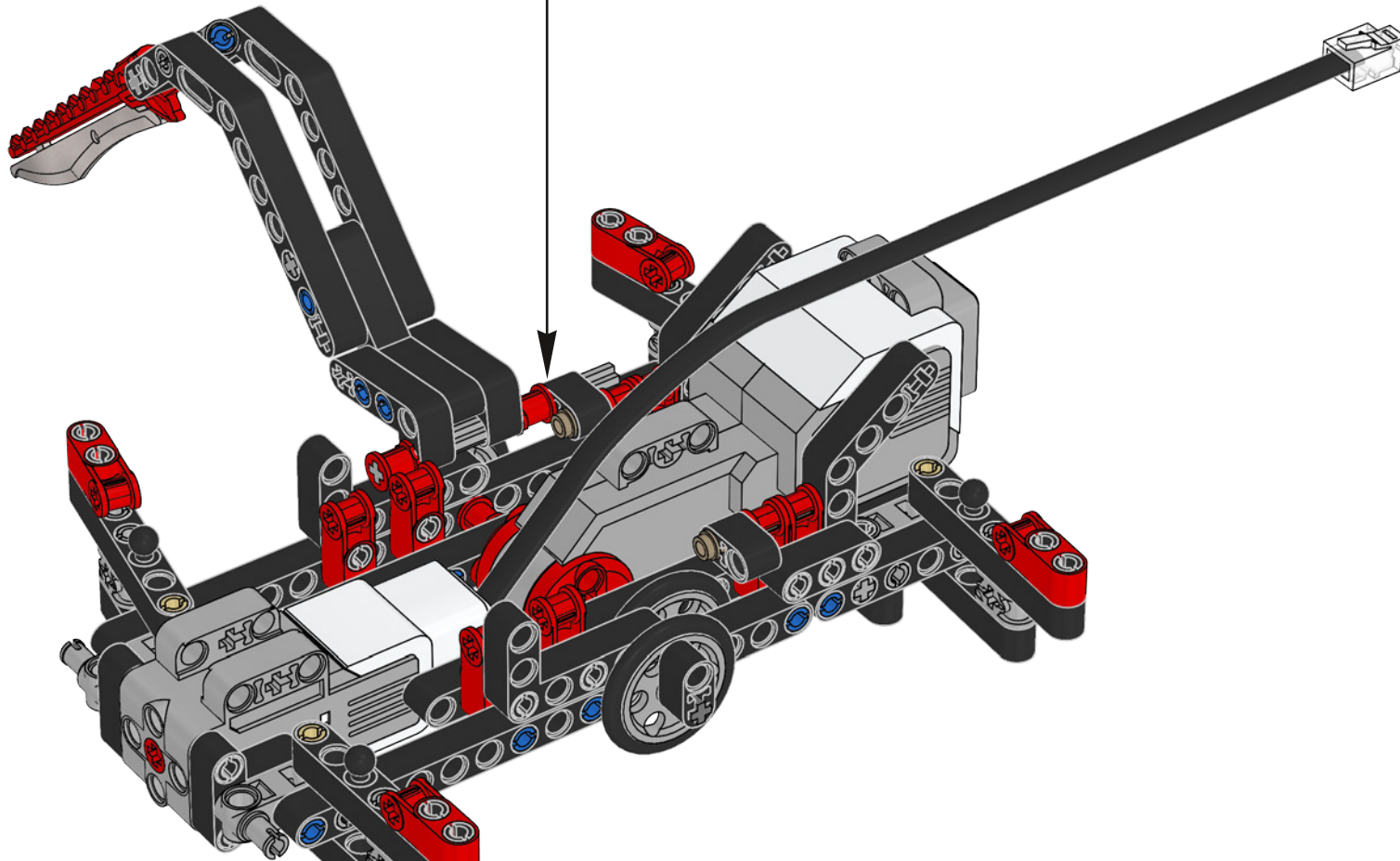
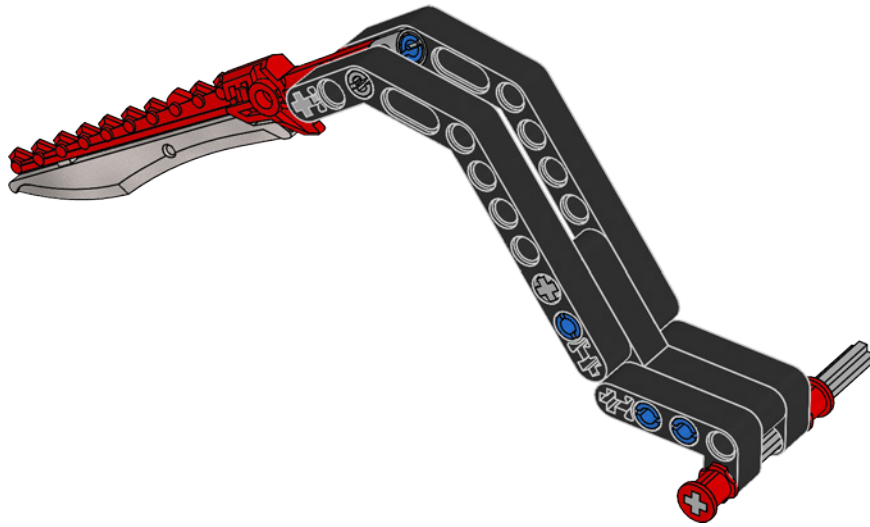


6

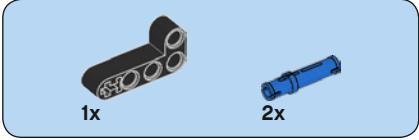
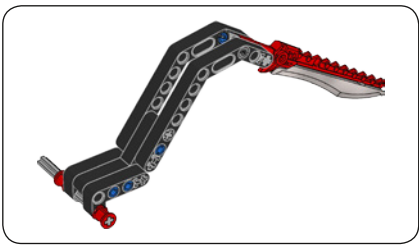




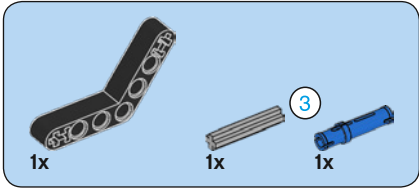
7



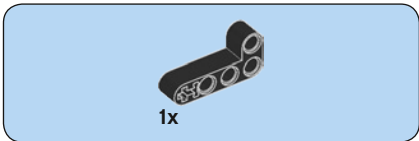
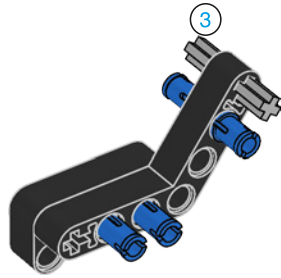
23



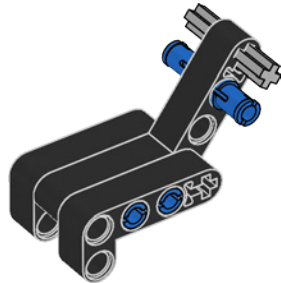
1

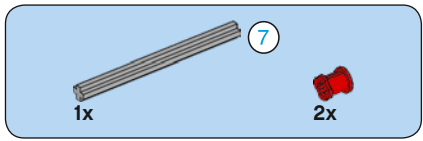


2

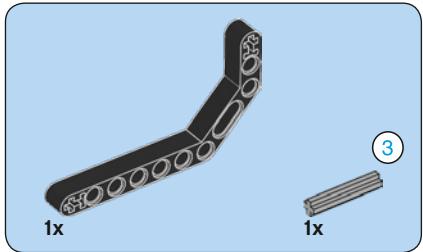
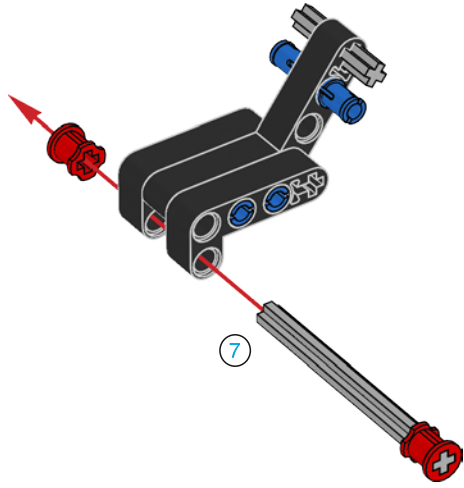


3

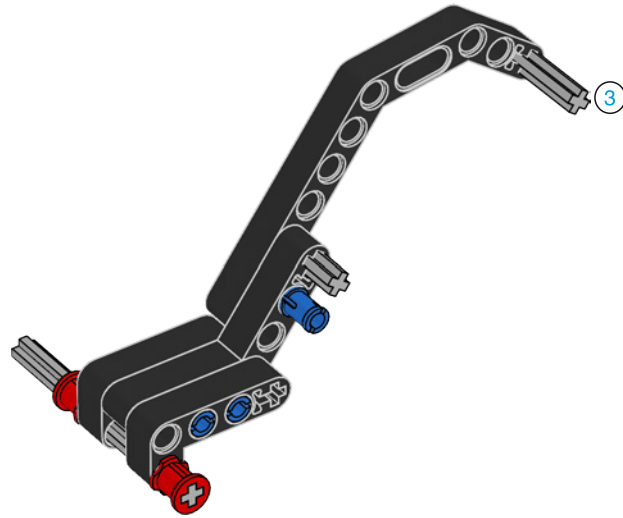


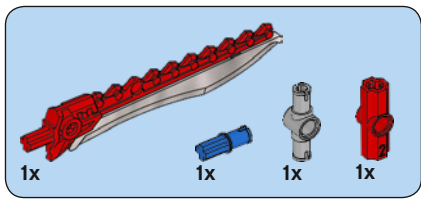


4

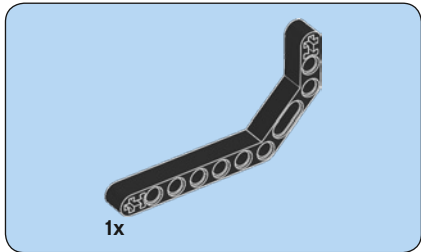
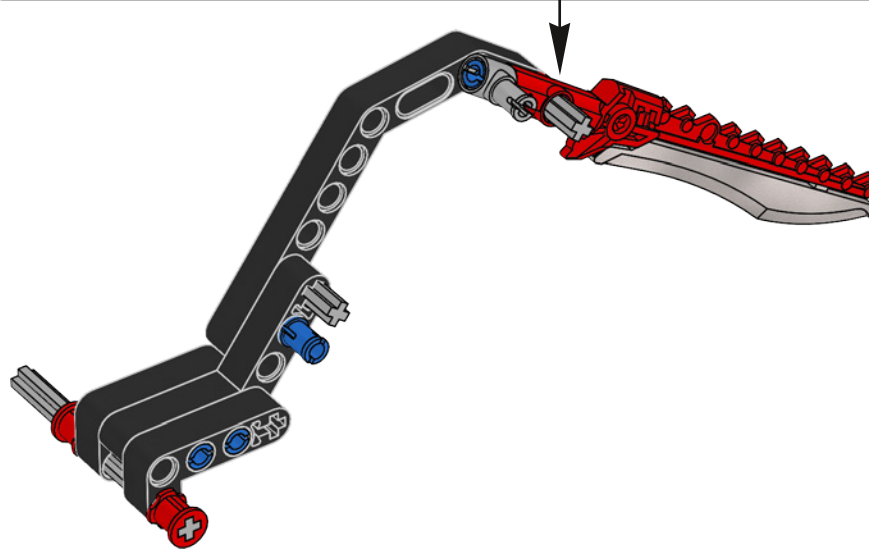
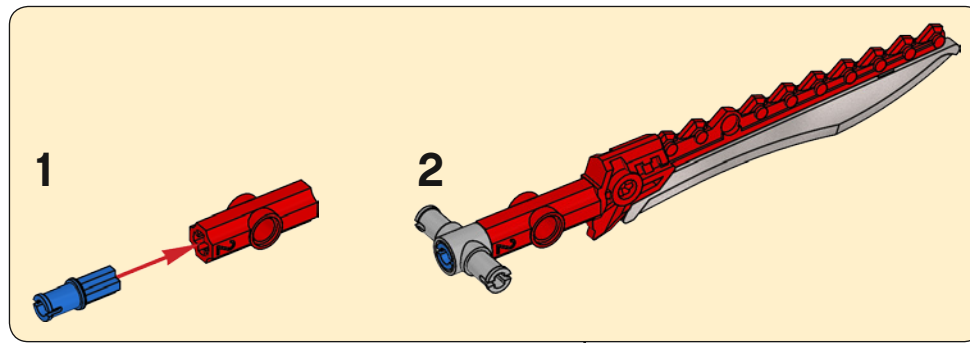


5

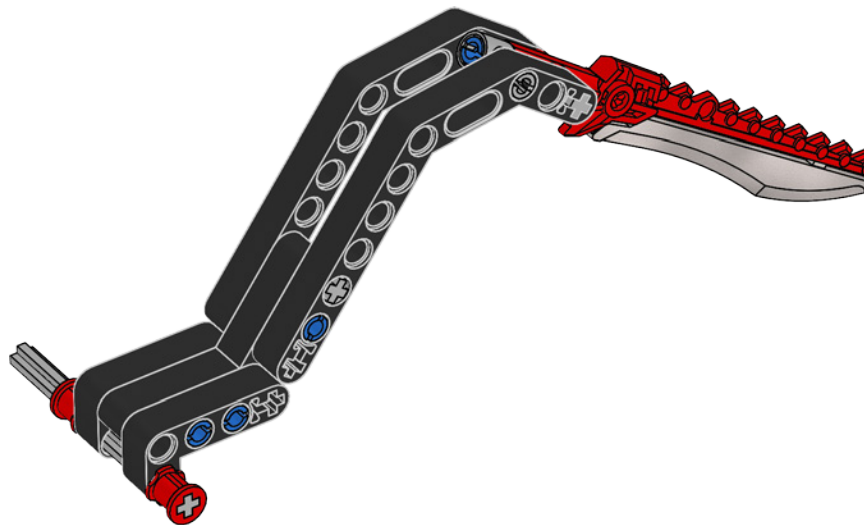




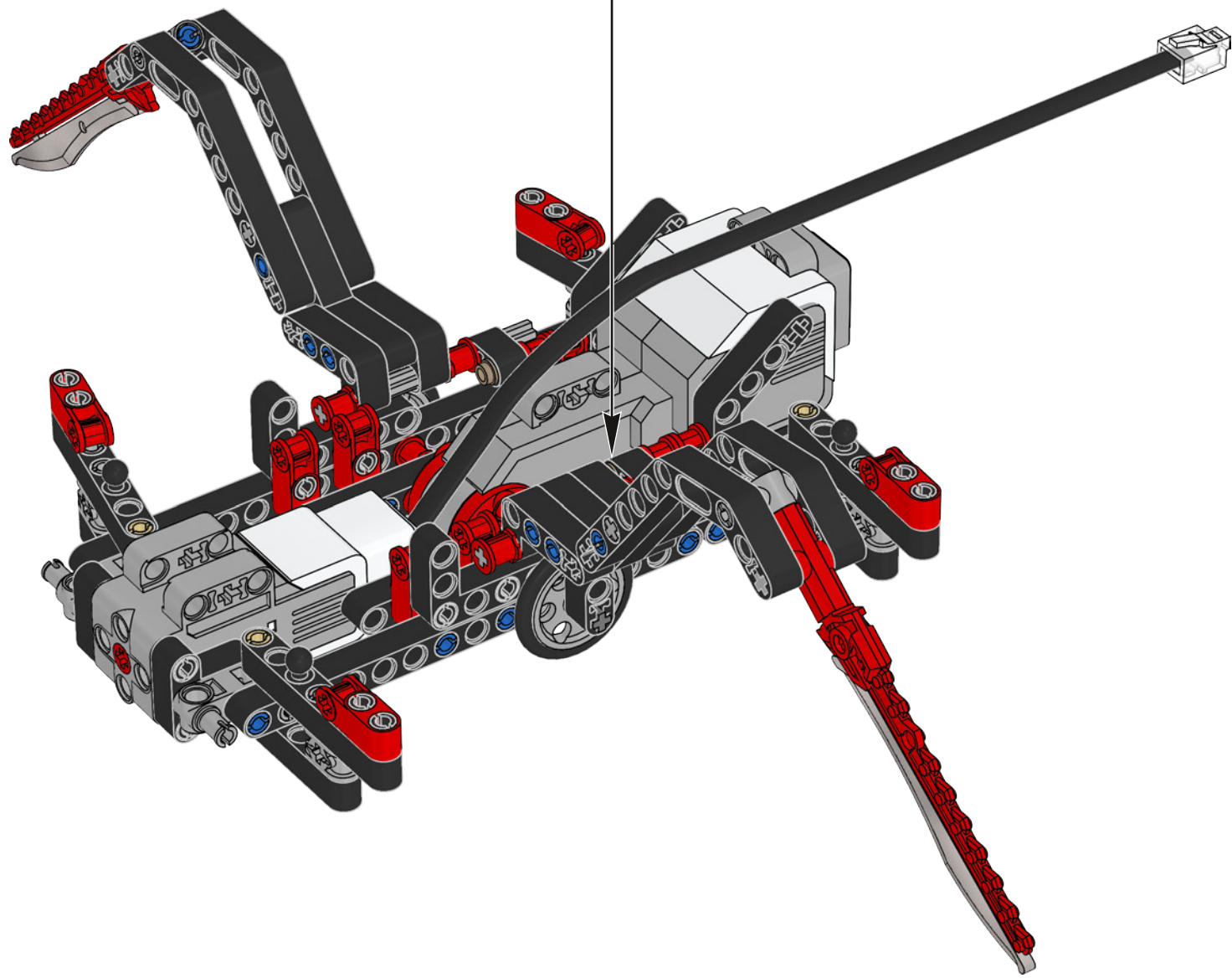
6

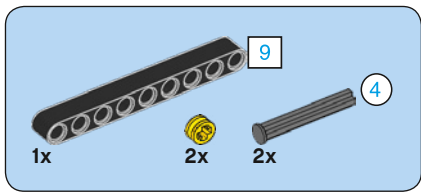


7

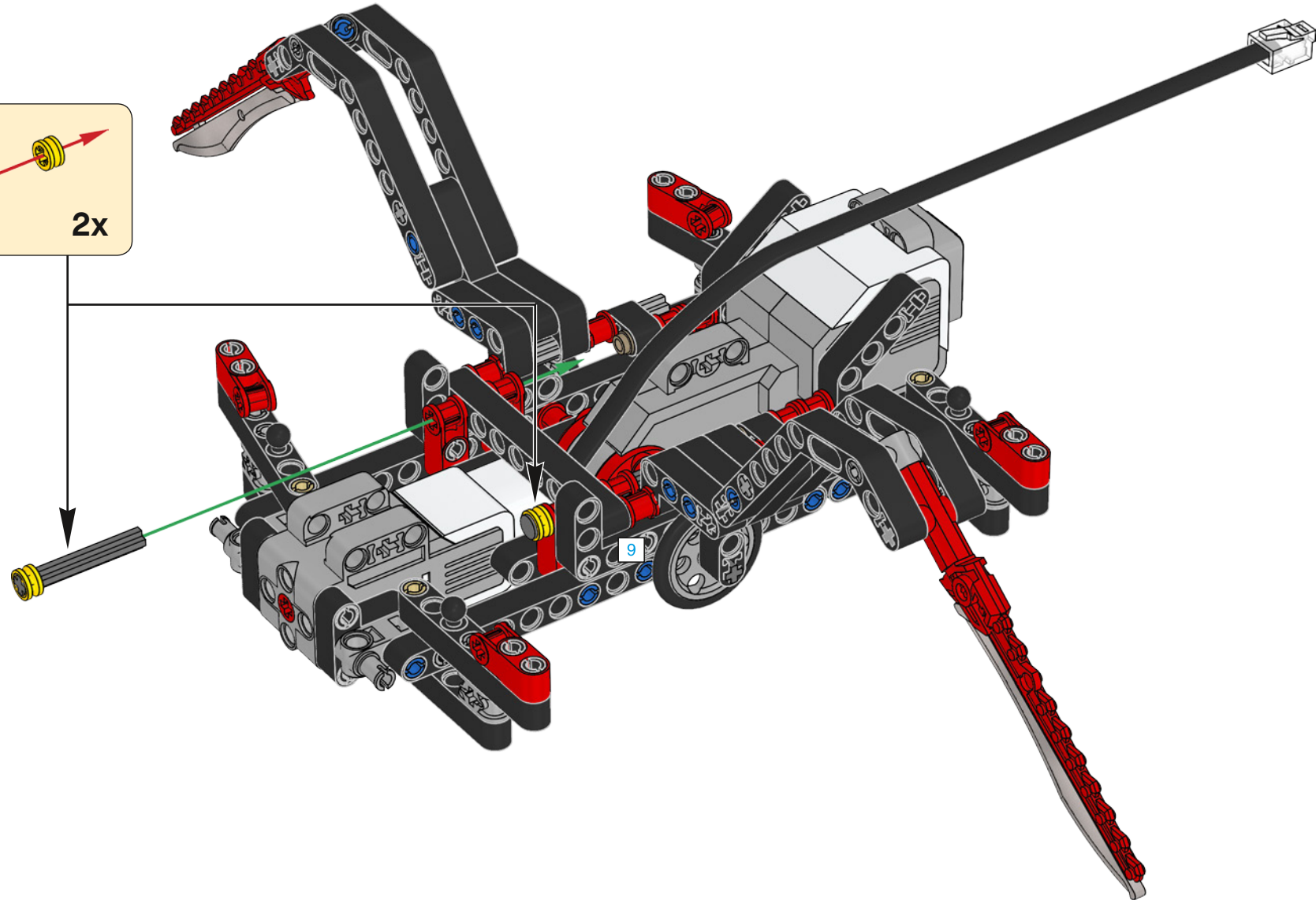
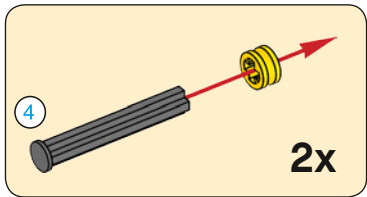


24

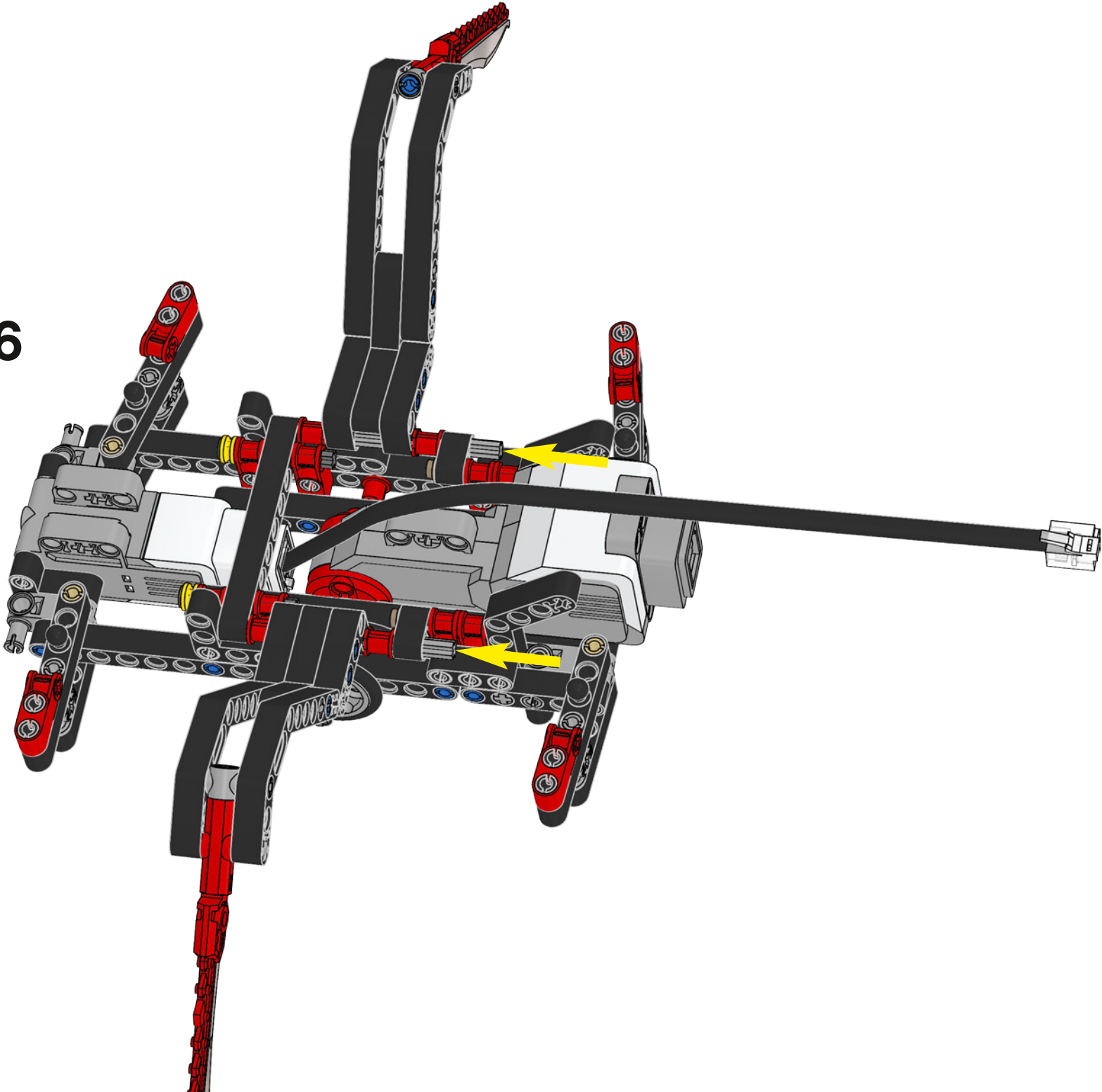


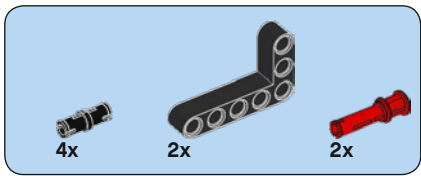


25

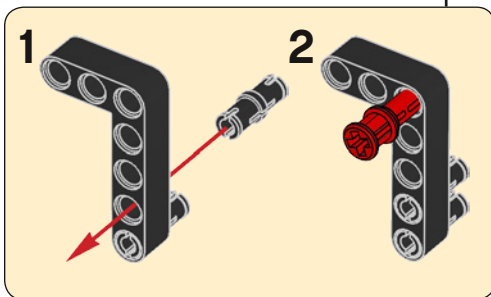
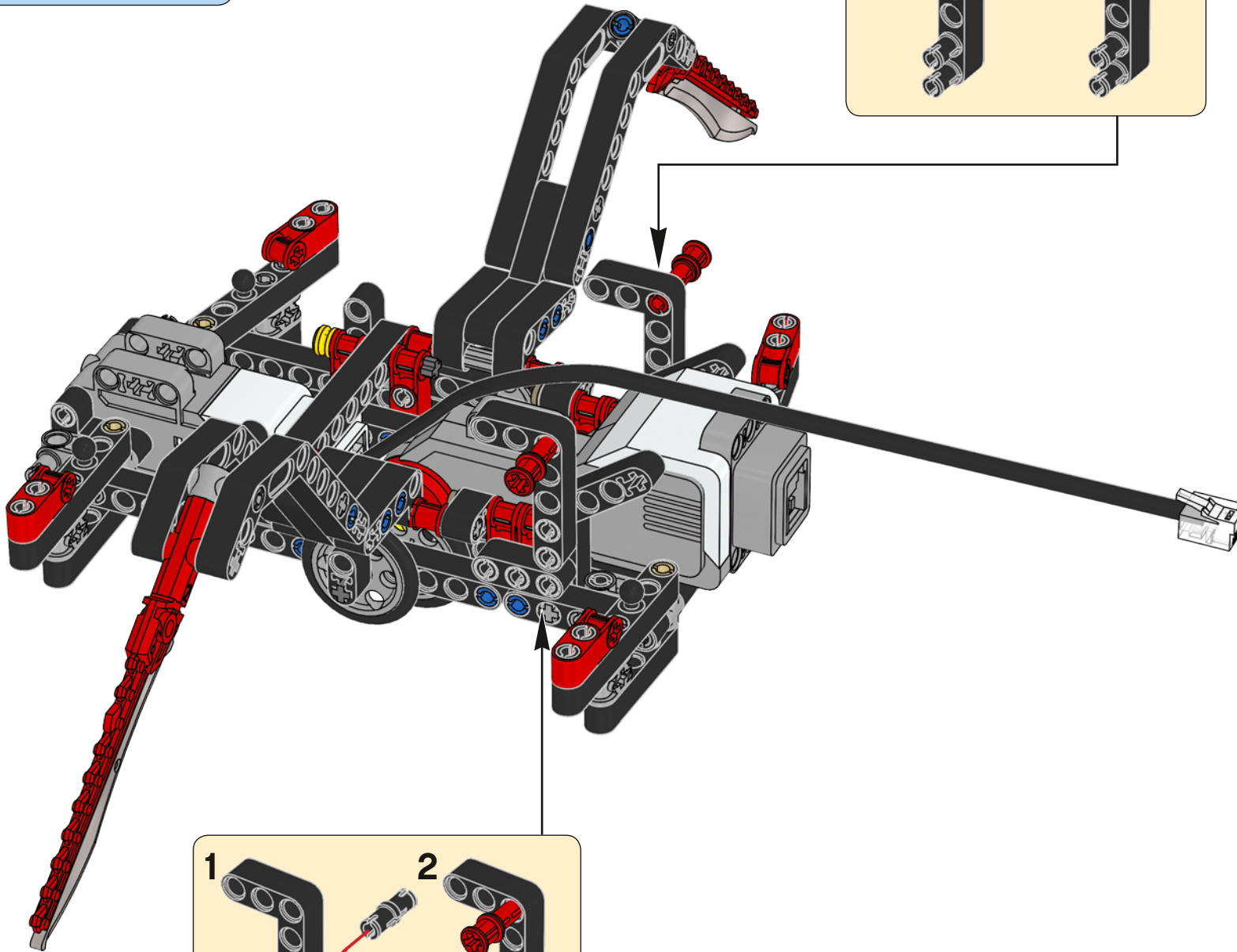
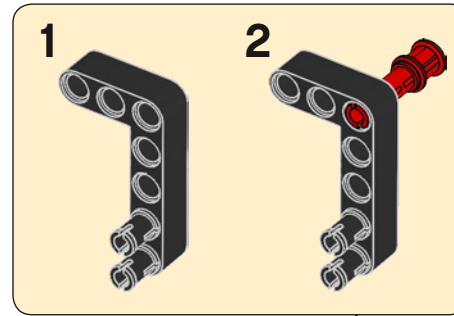


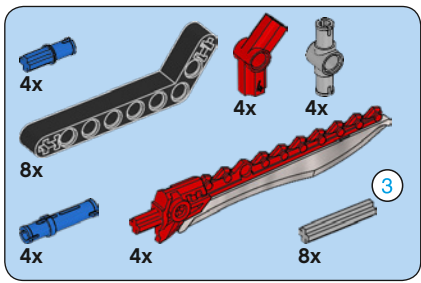
26



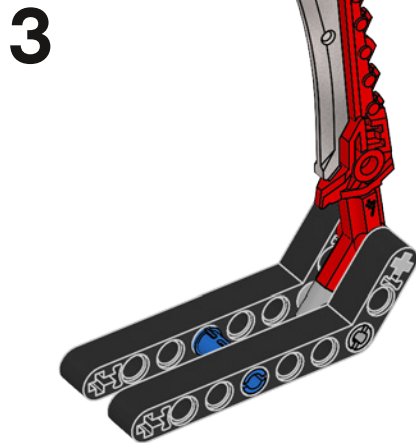
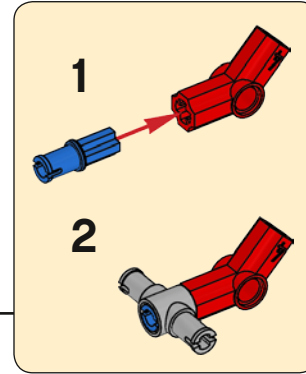
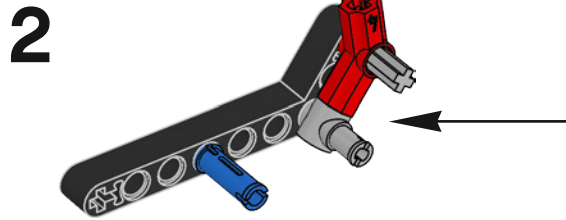
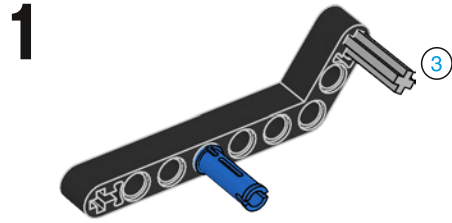


27

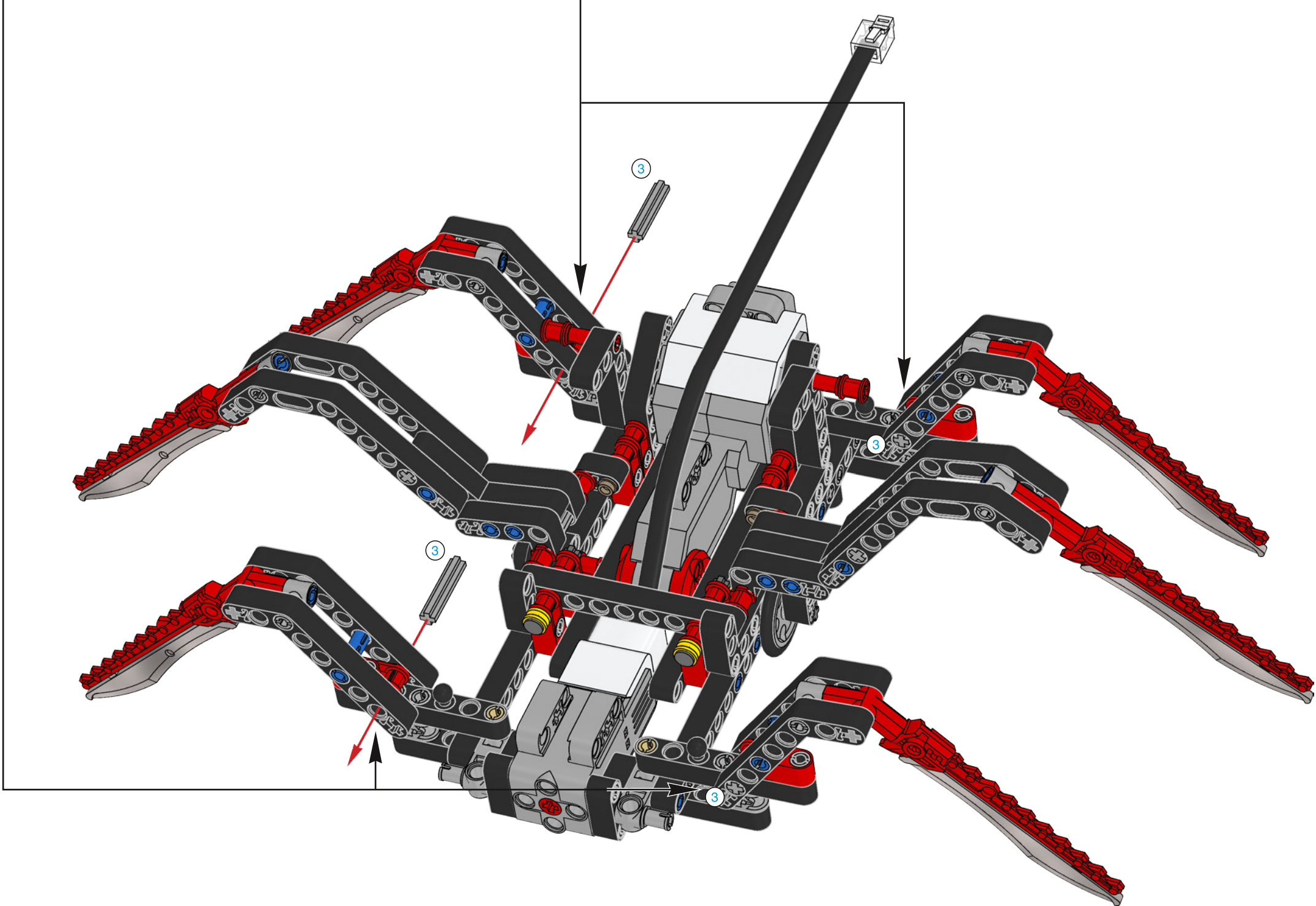


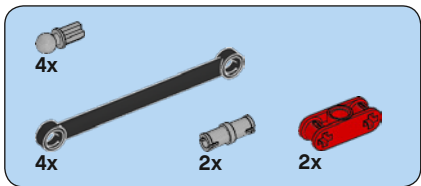


28

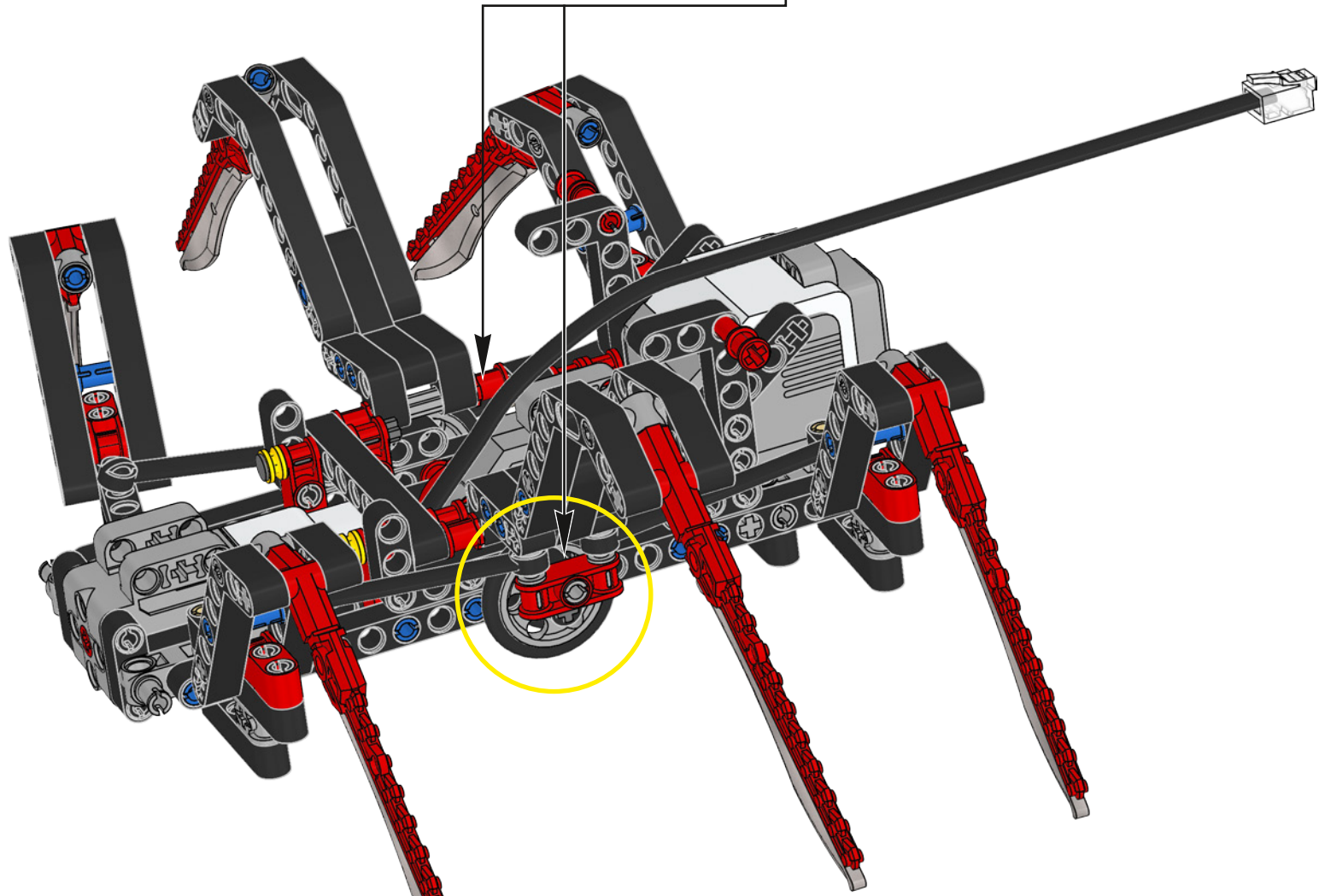
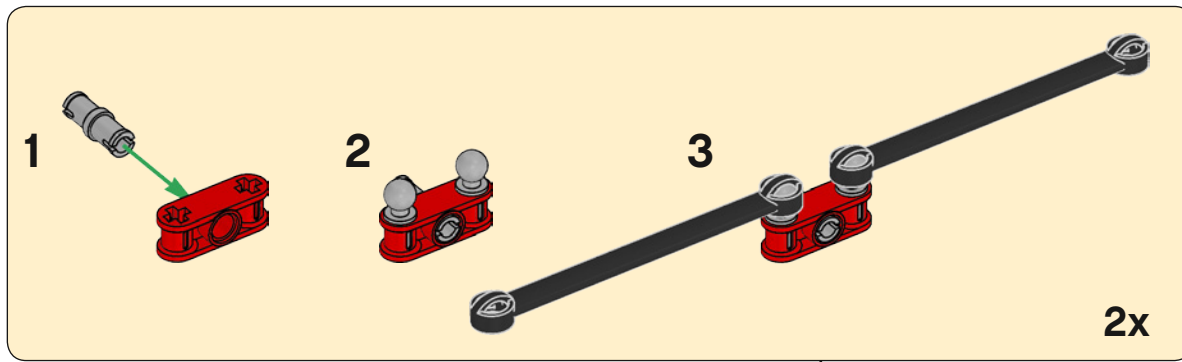


4x

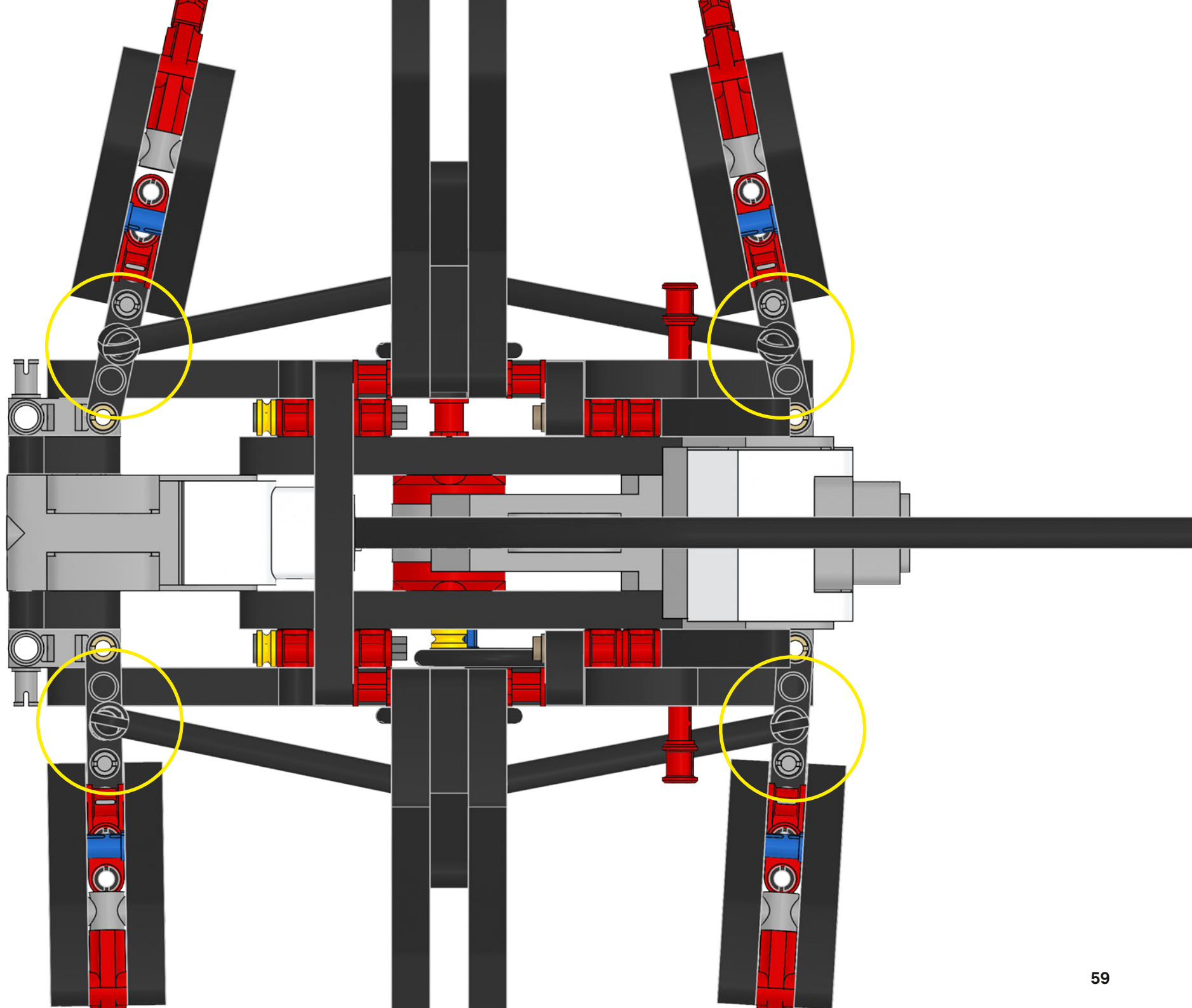


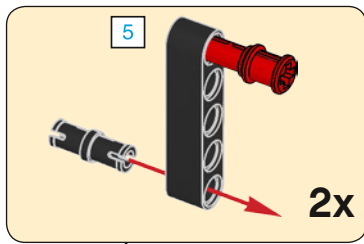
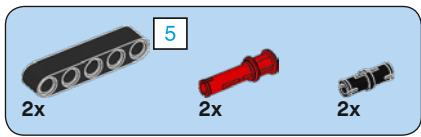


29

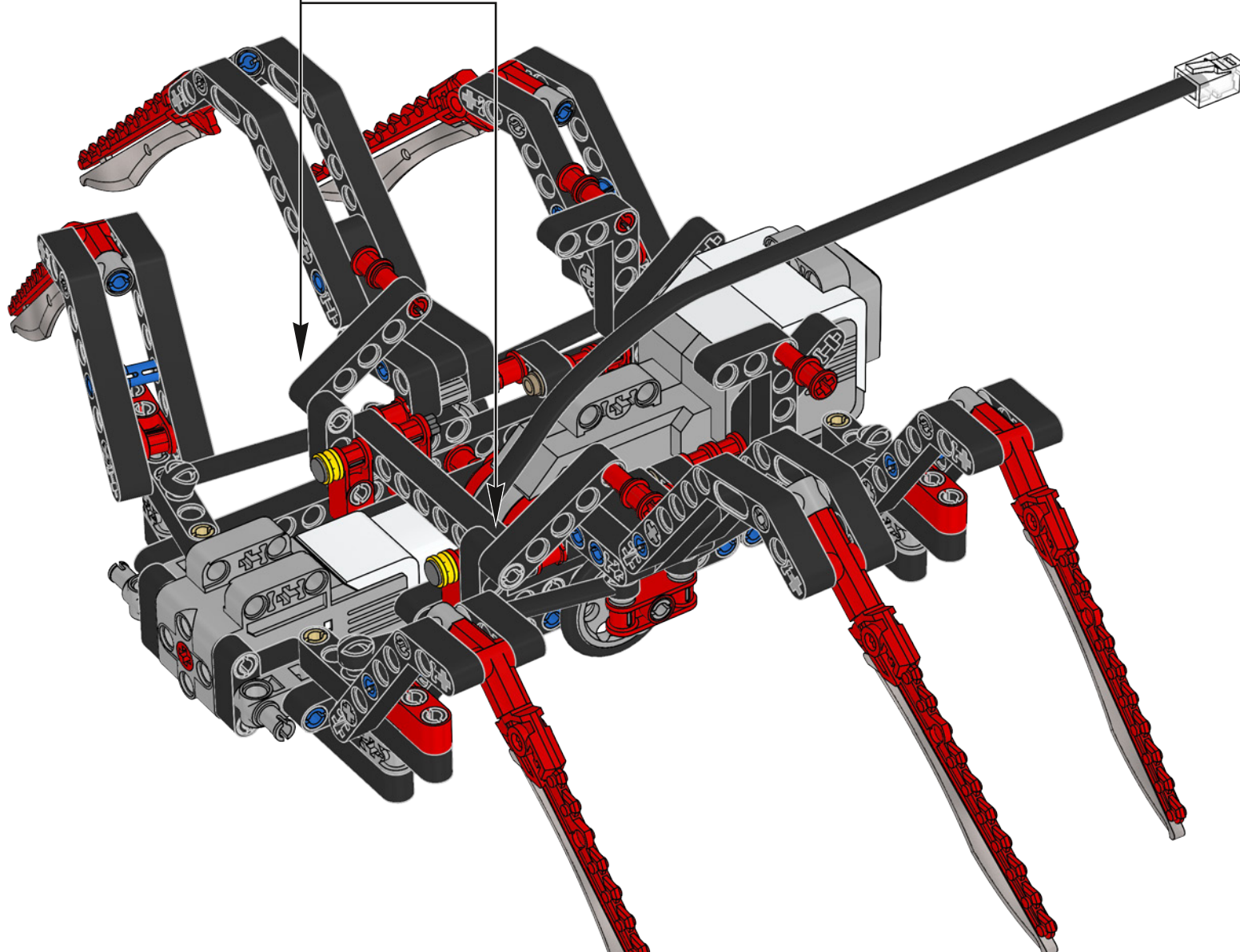


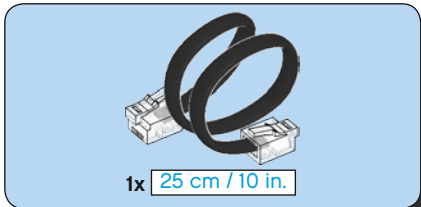
30



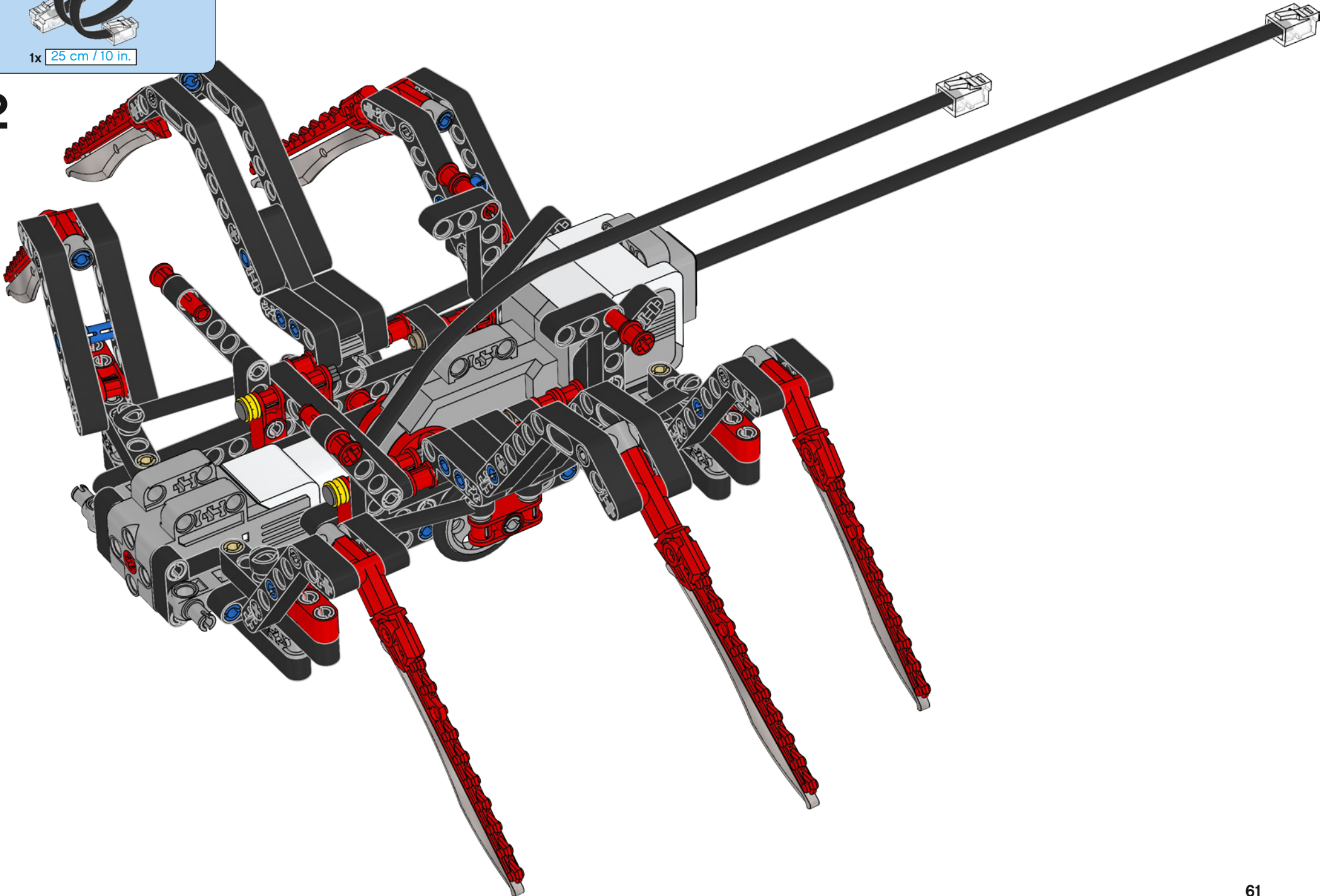


31

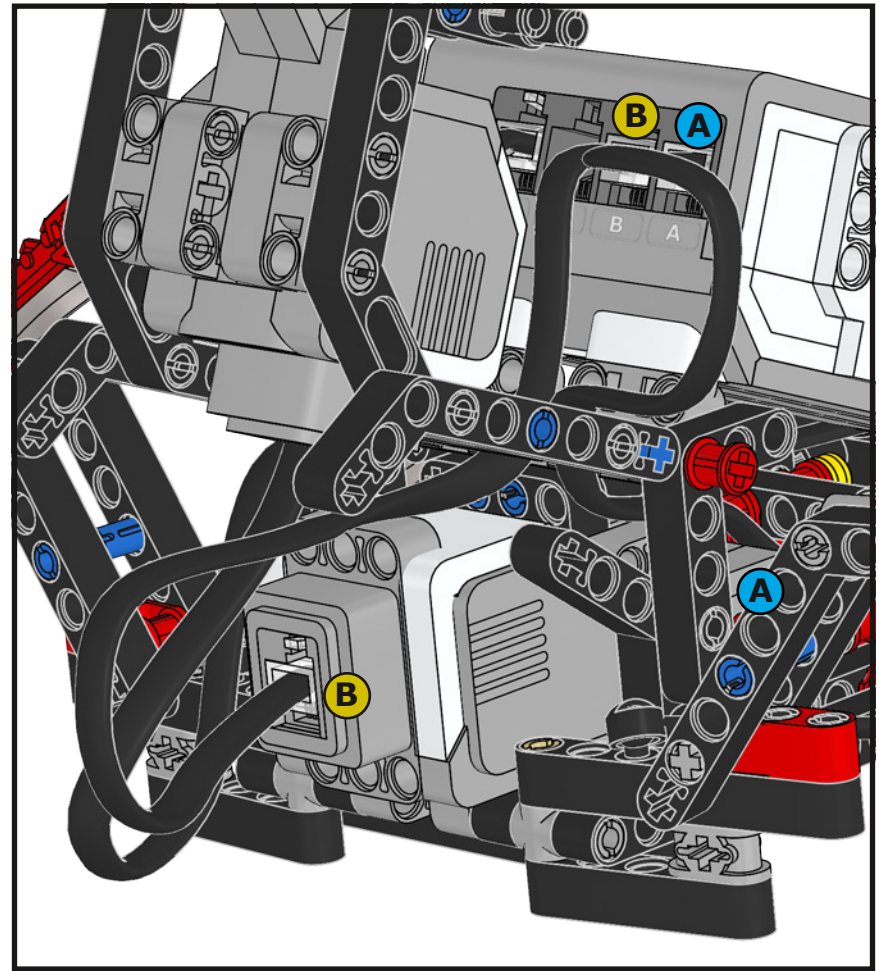
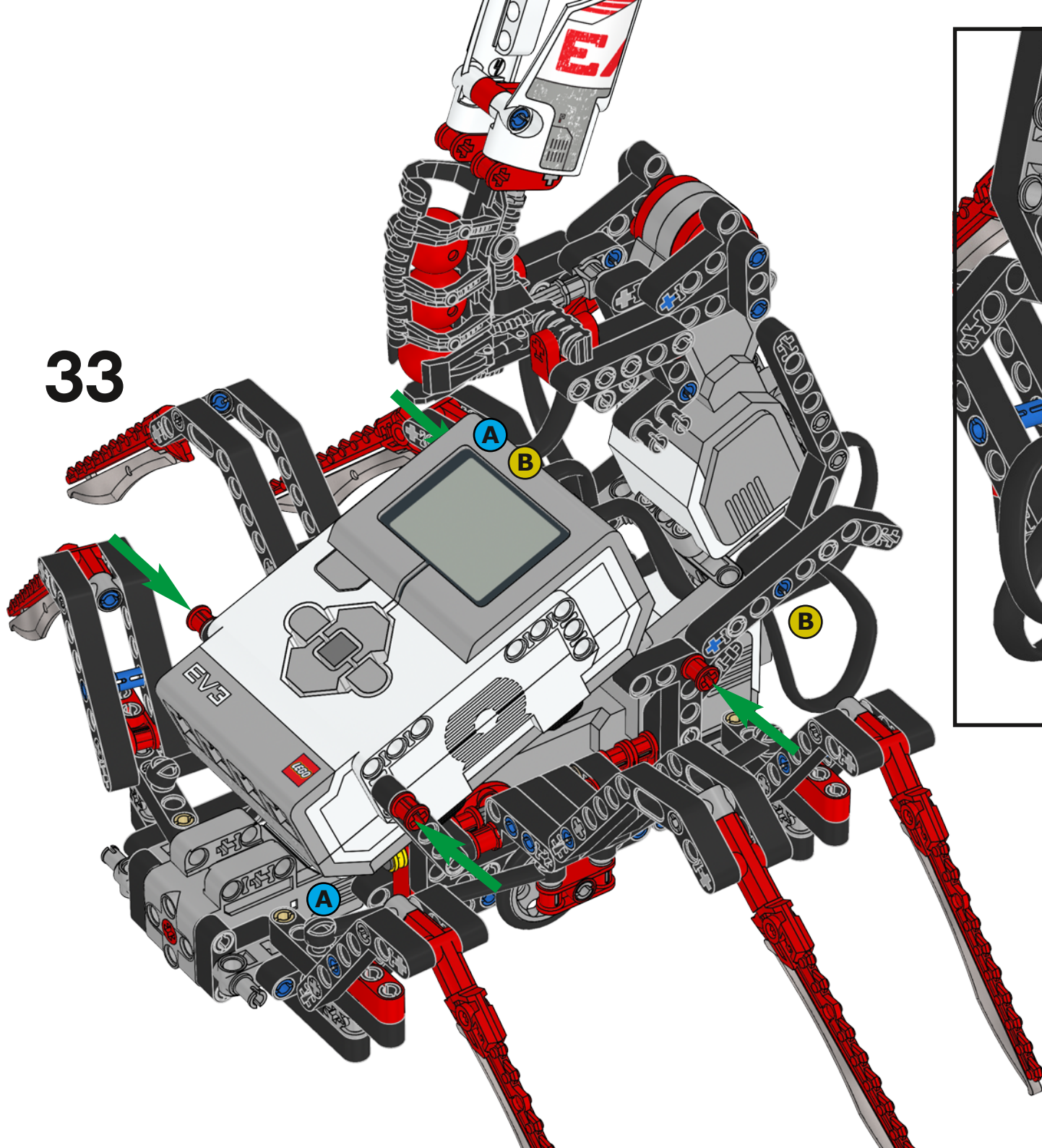


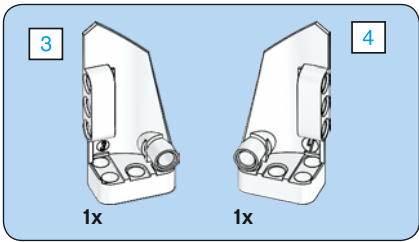


32

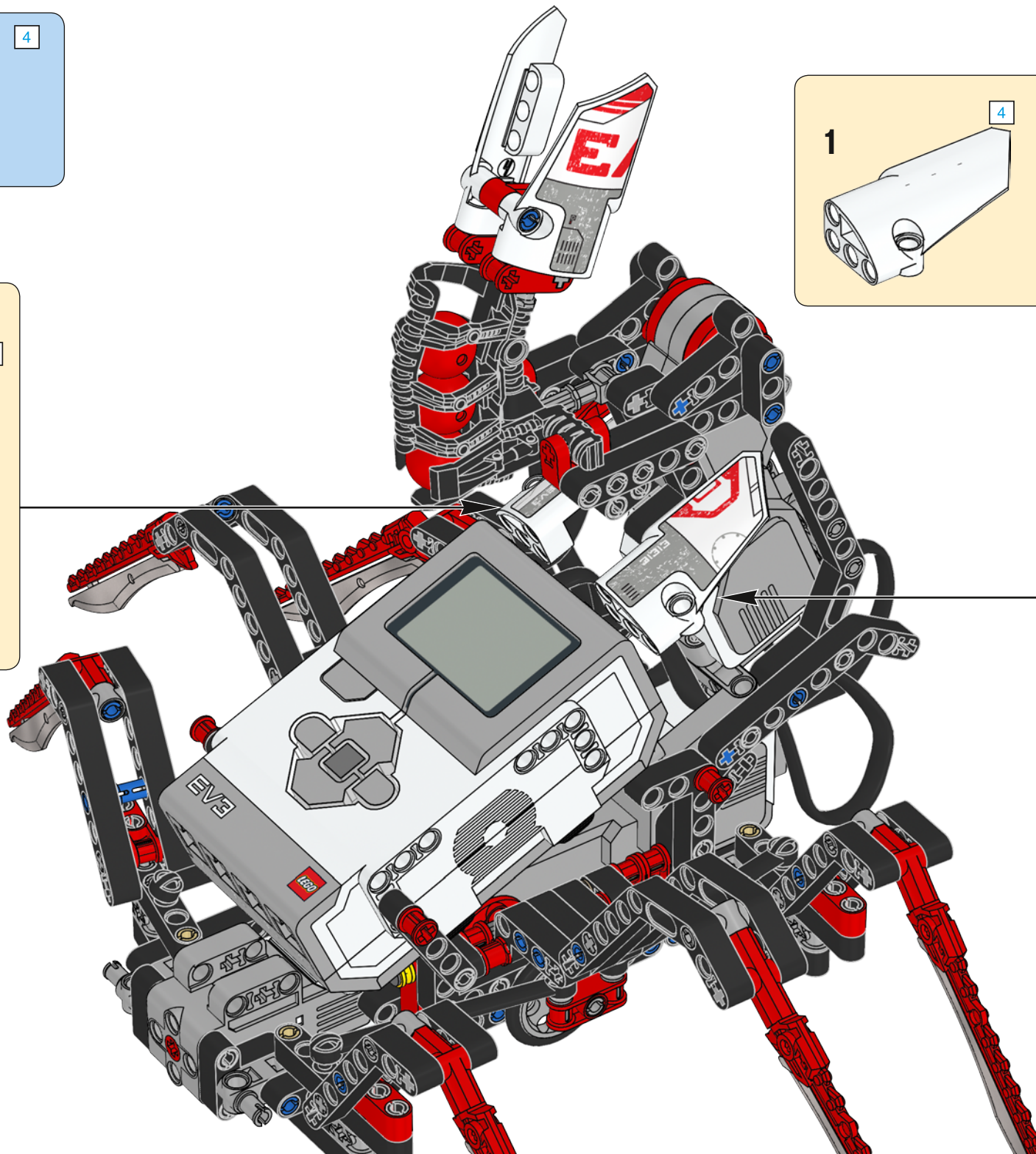
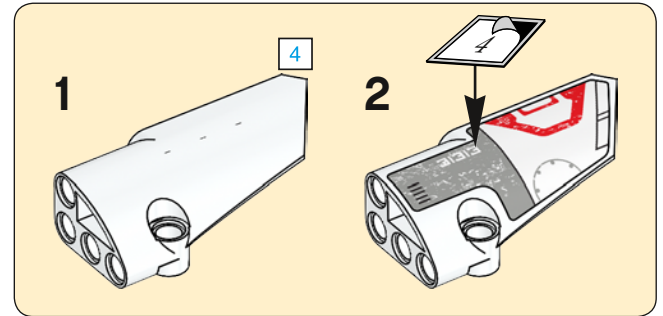
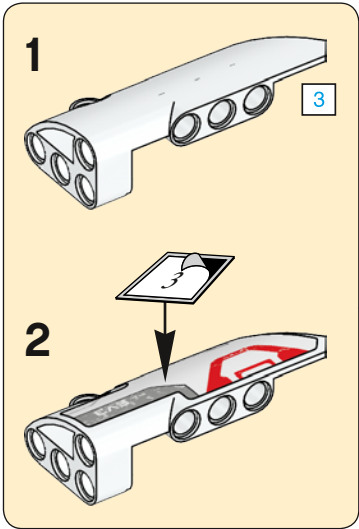


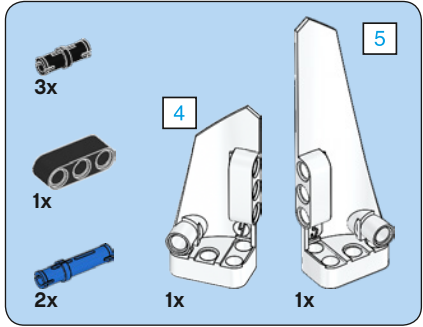
33





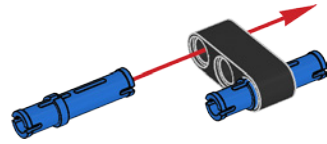
34



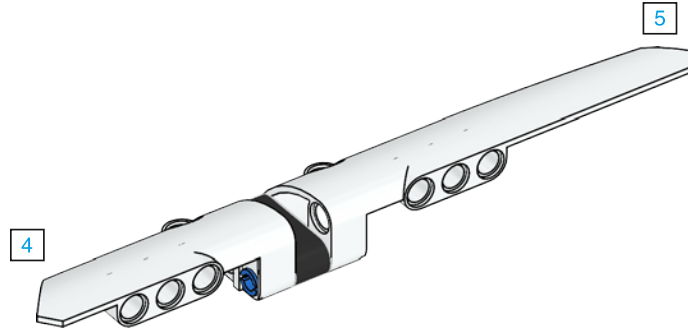


35

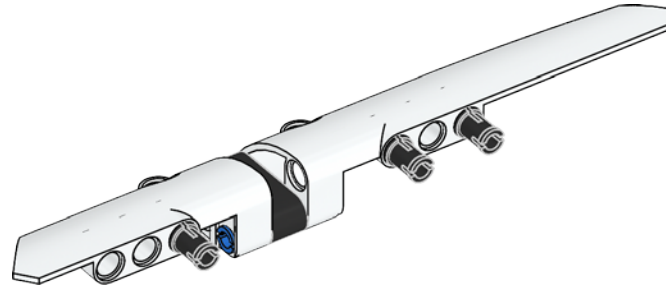
1



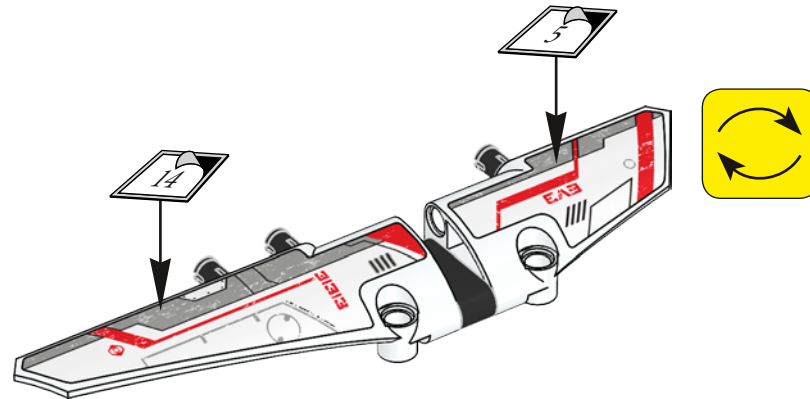
2

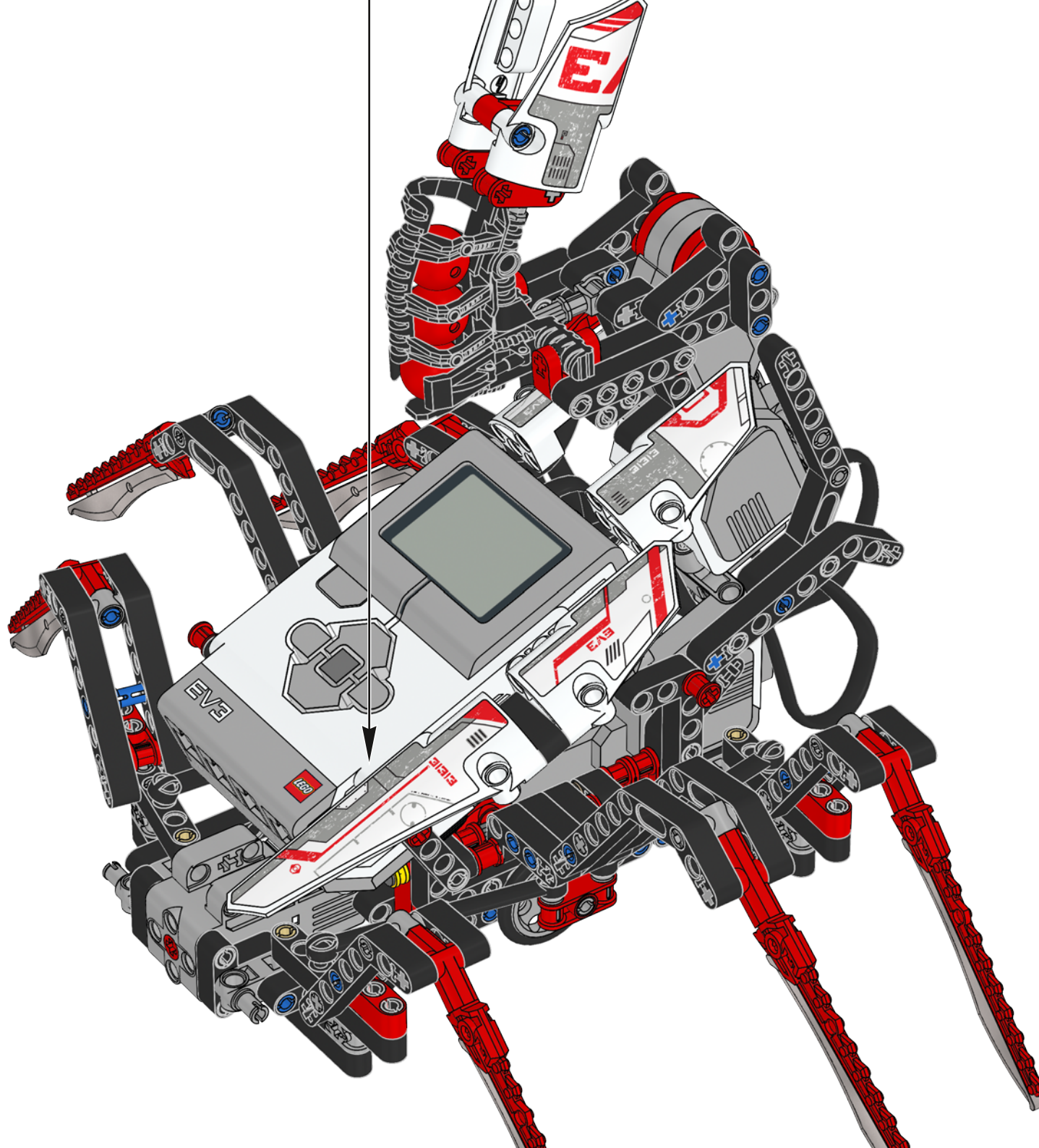


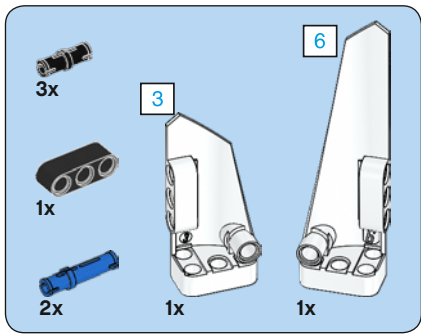
3



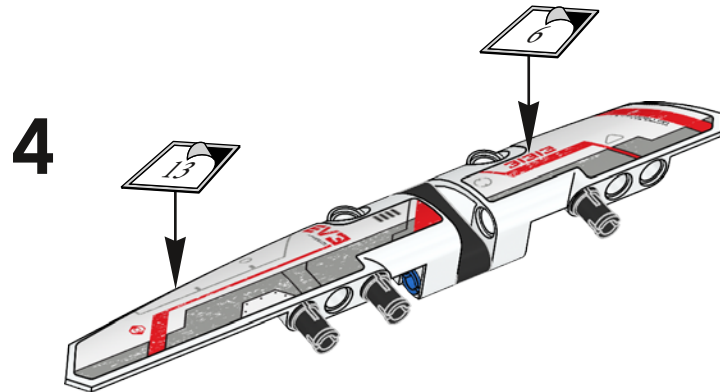
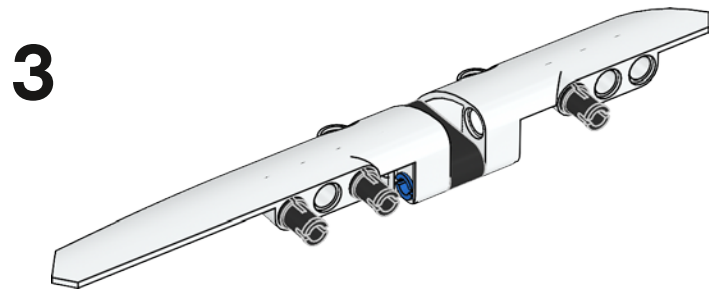
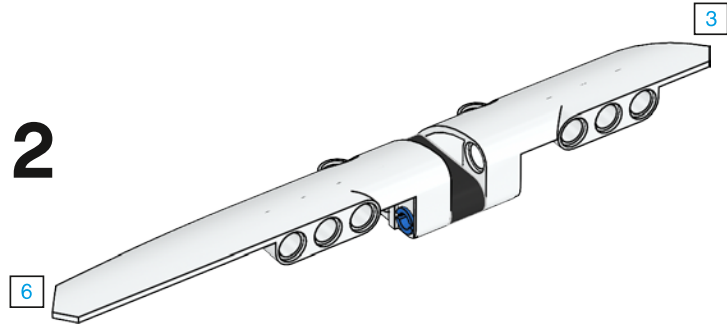
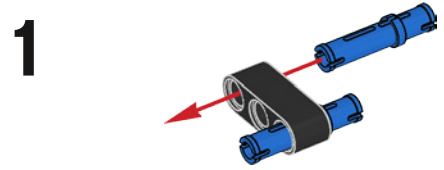
4

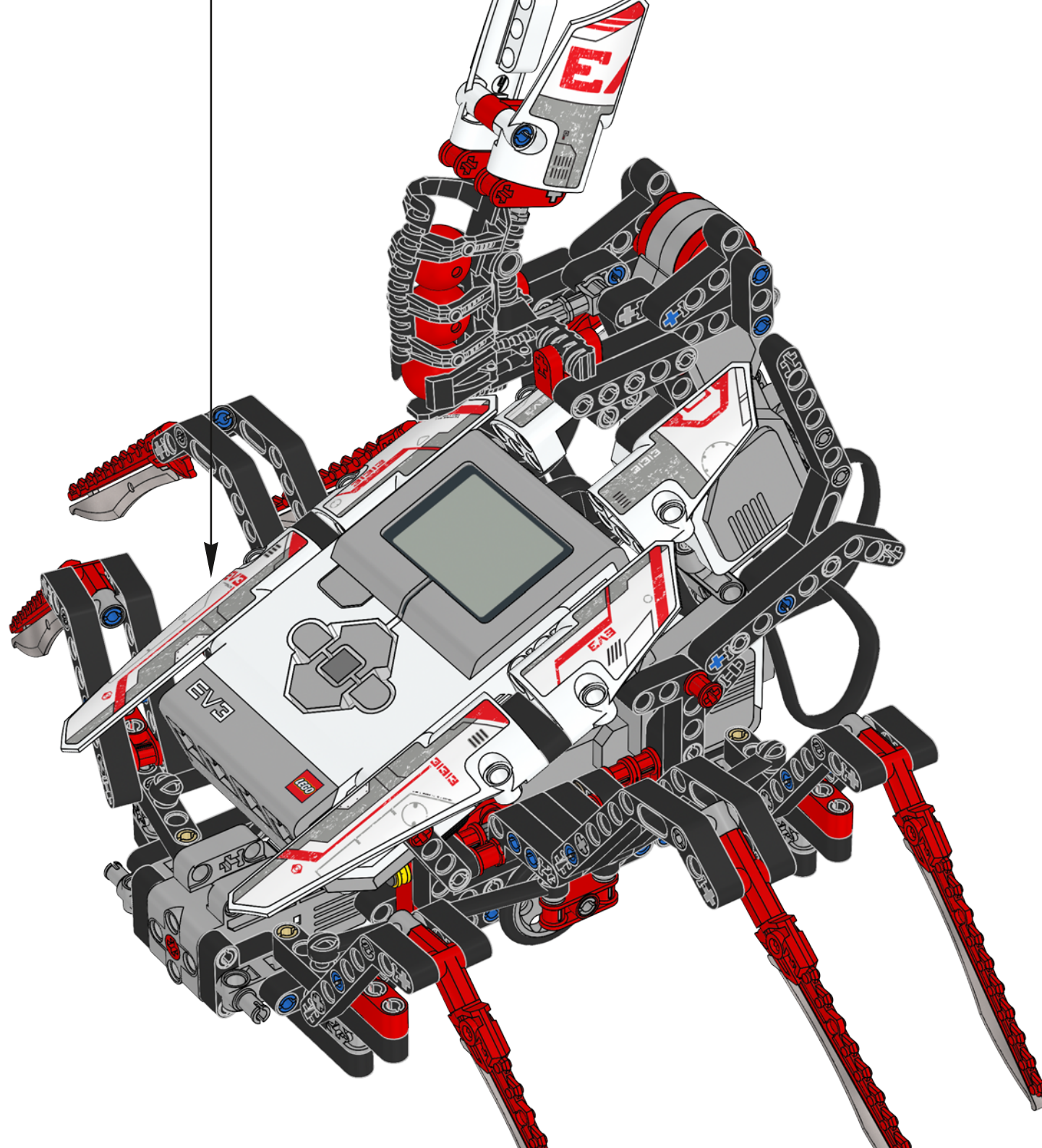


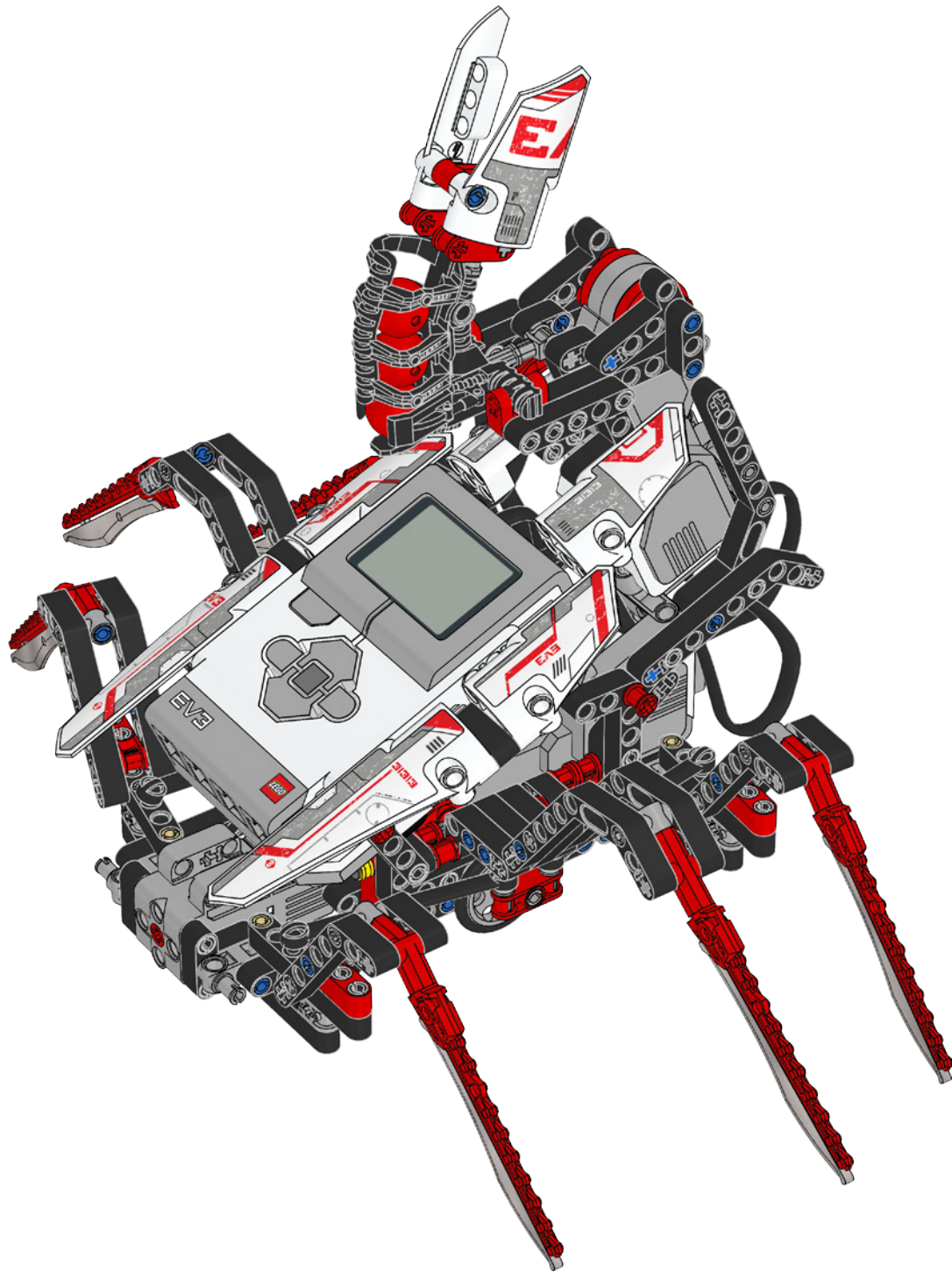




36









Download on the App Store



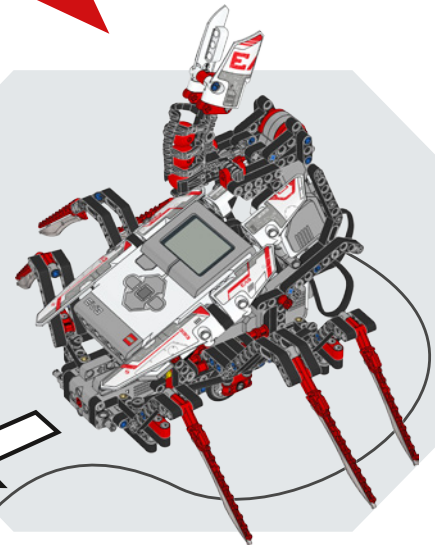
GET IT ON Google play



LEGO® MINDSTORMS®
EV3 Programmer
The LEGO Group



MISSION 02

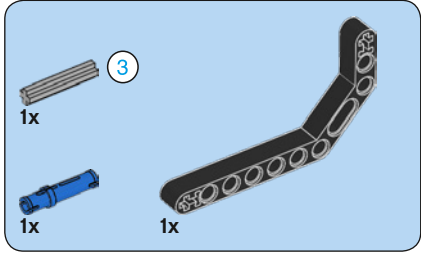
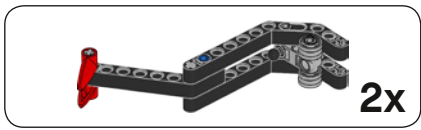


LEGO.com/mindstorms/software

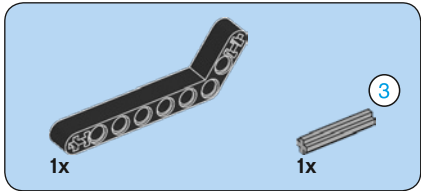
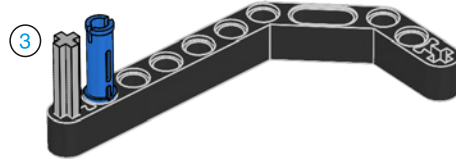


MISSION 03

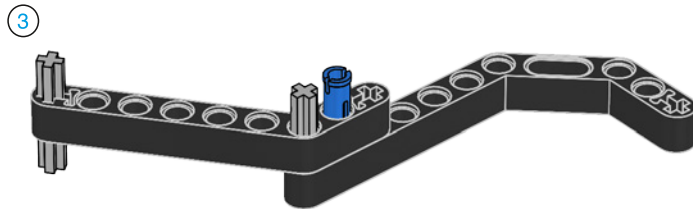


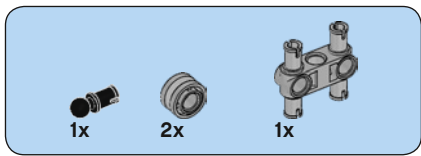


1

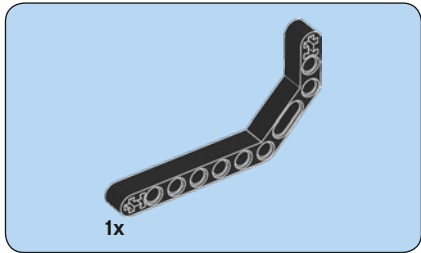
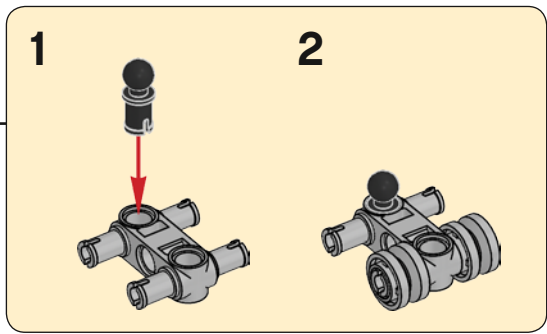
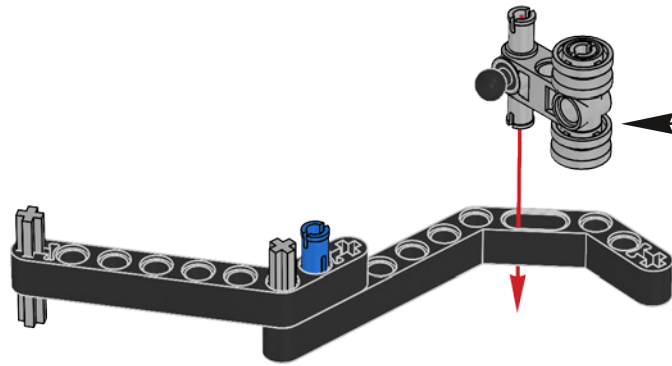


2





3



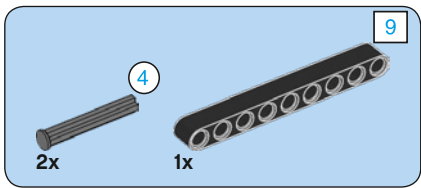
4



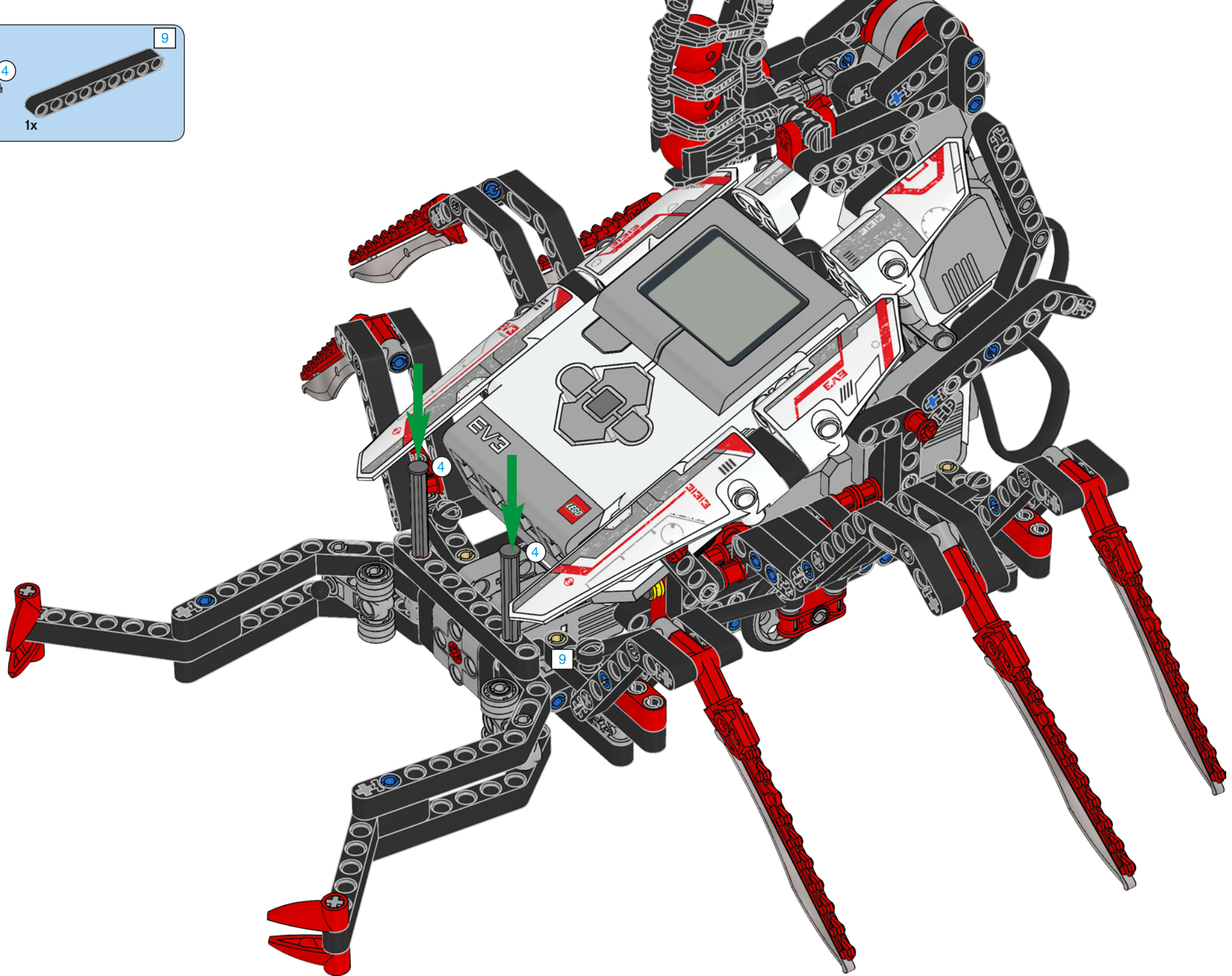
5

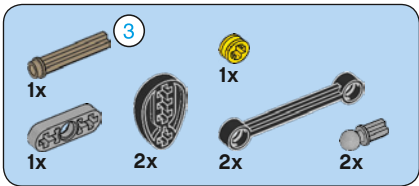


2x

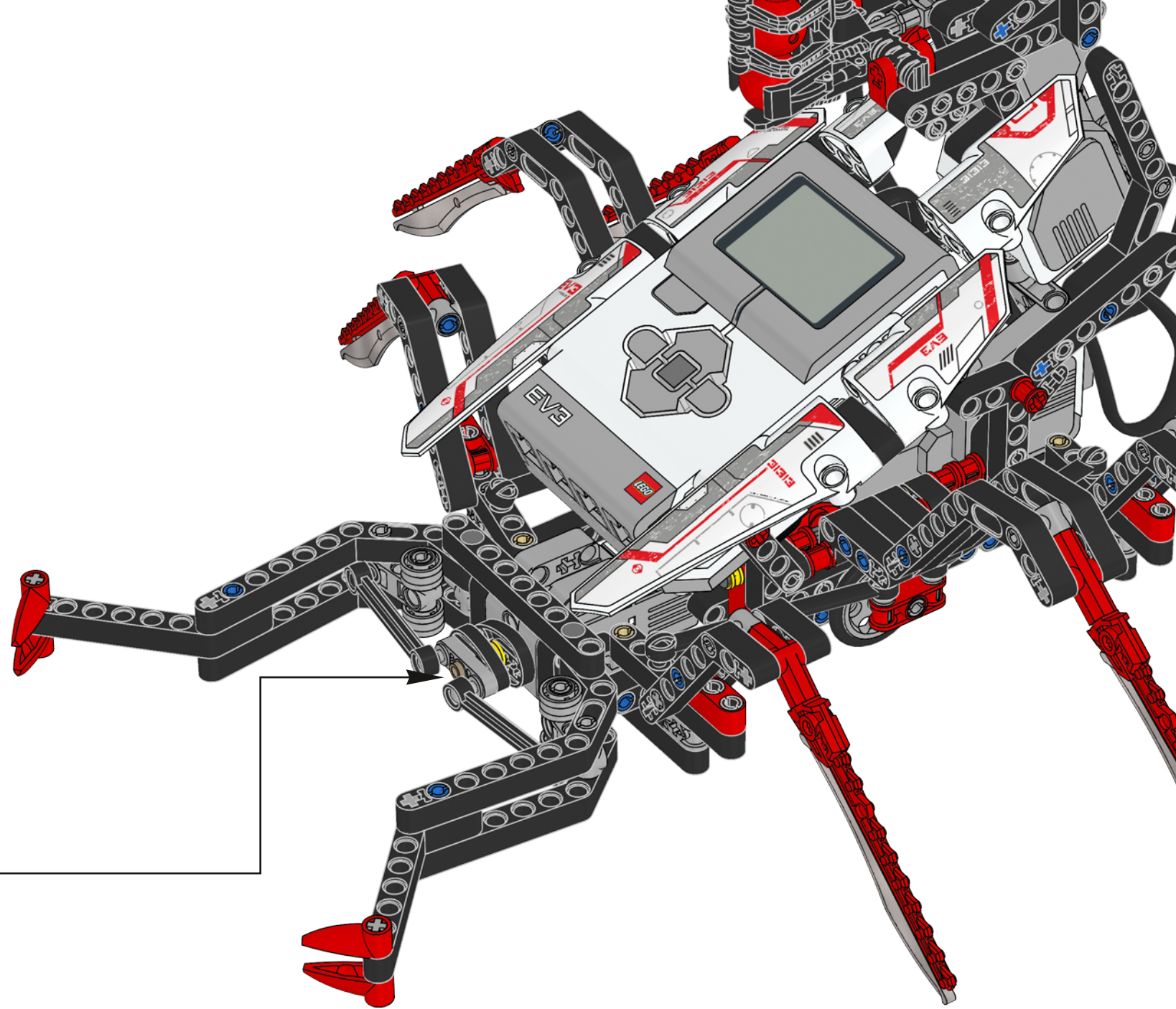
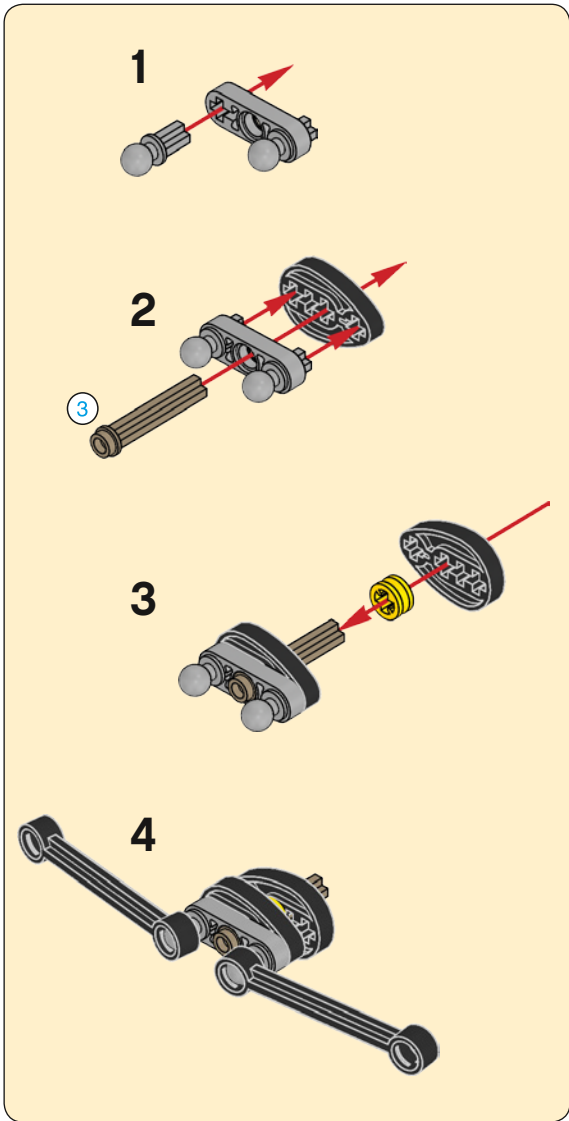


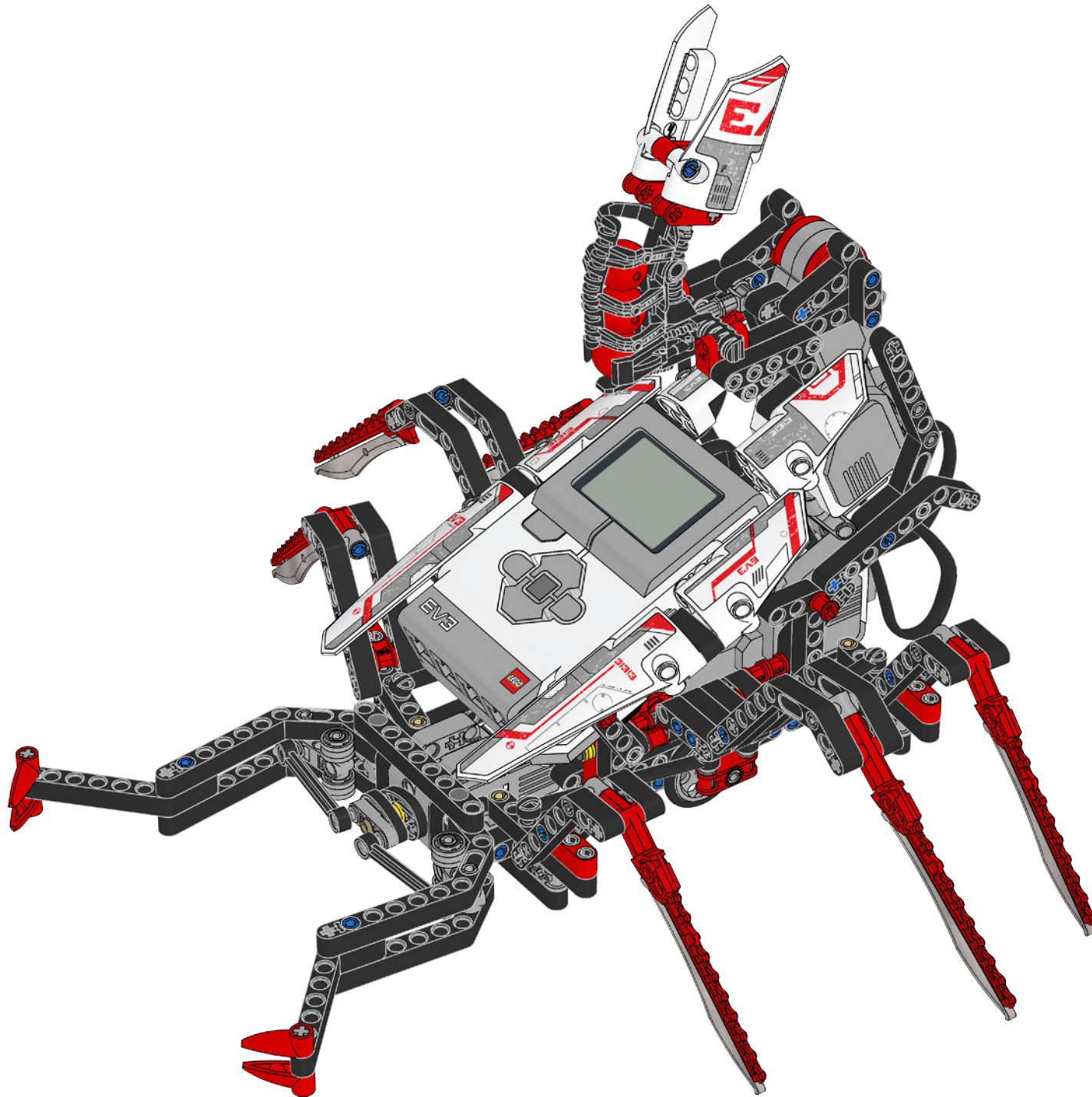
37





38







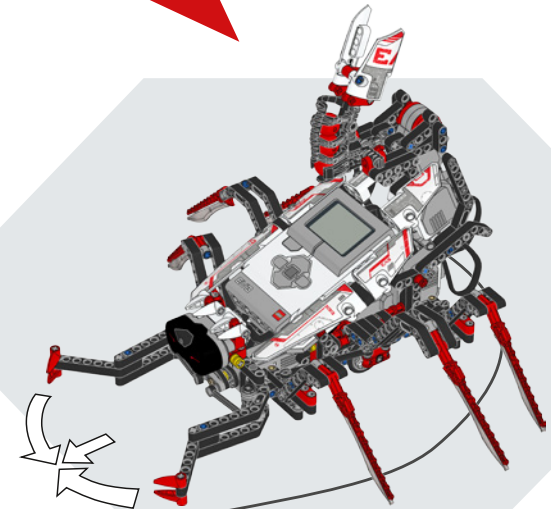
MISSION 03

Download on the
App Store

GET IT ON
Google play



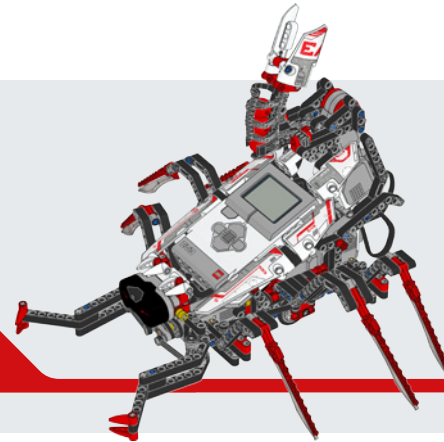
LEGO® MINDSTORMS®
EV3 Programmer
The LEGO Group

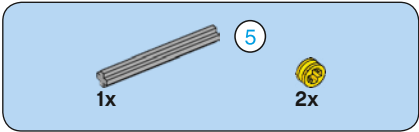
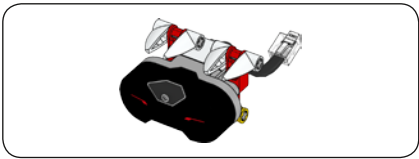


LEGO.com/mindstorms/software

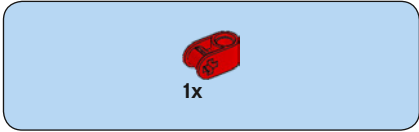
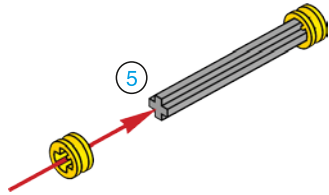


MISSION 04

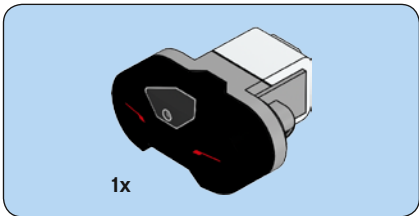
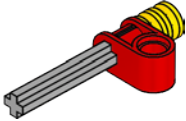




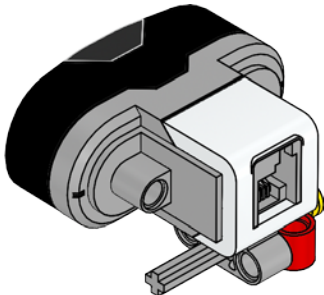
1

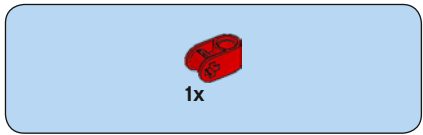


2

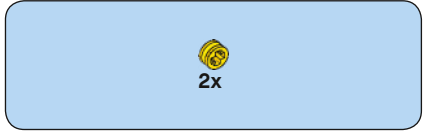
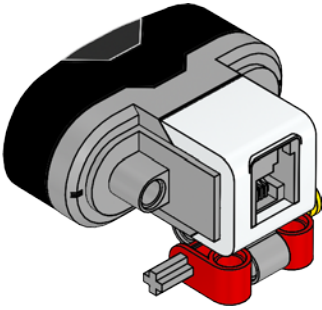


3

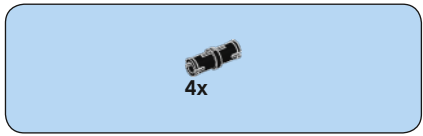
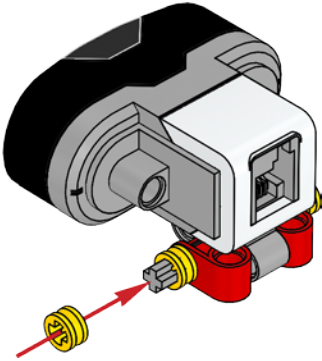




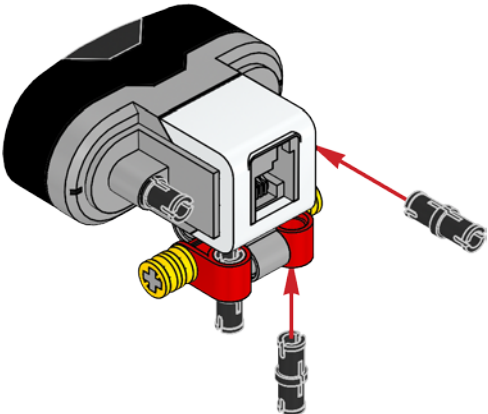
4

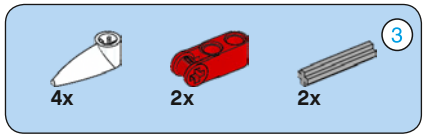


5

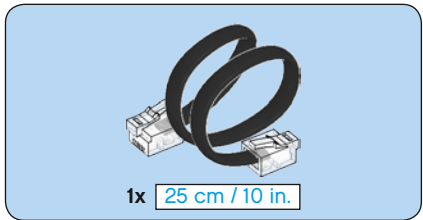
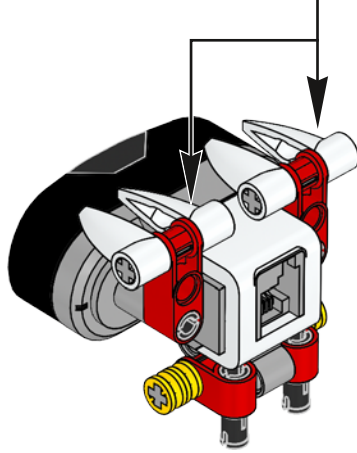
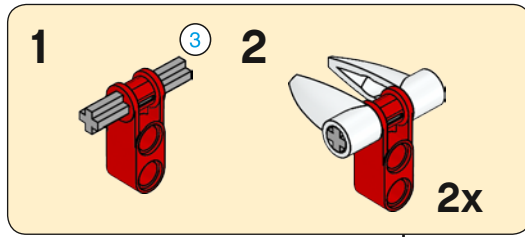


6

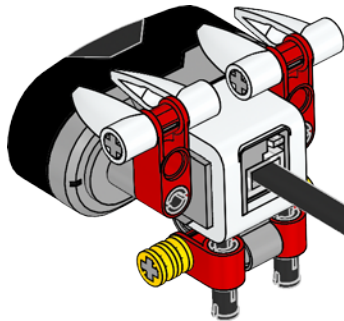




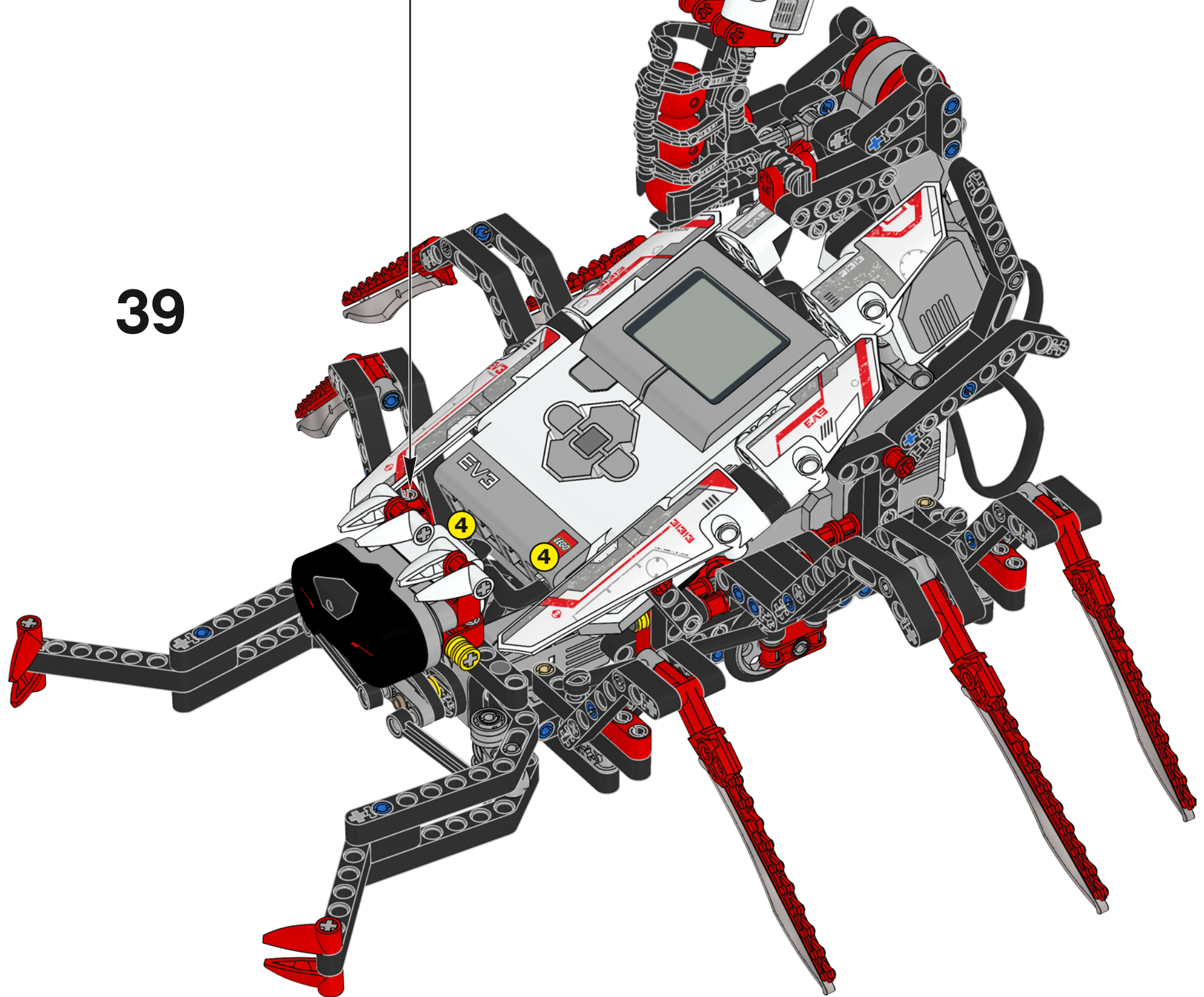
7

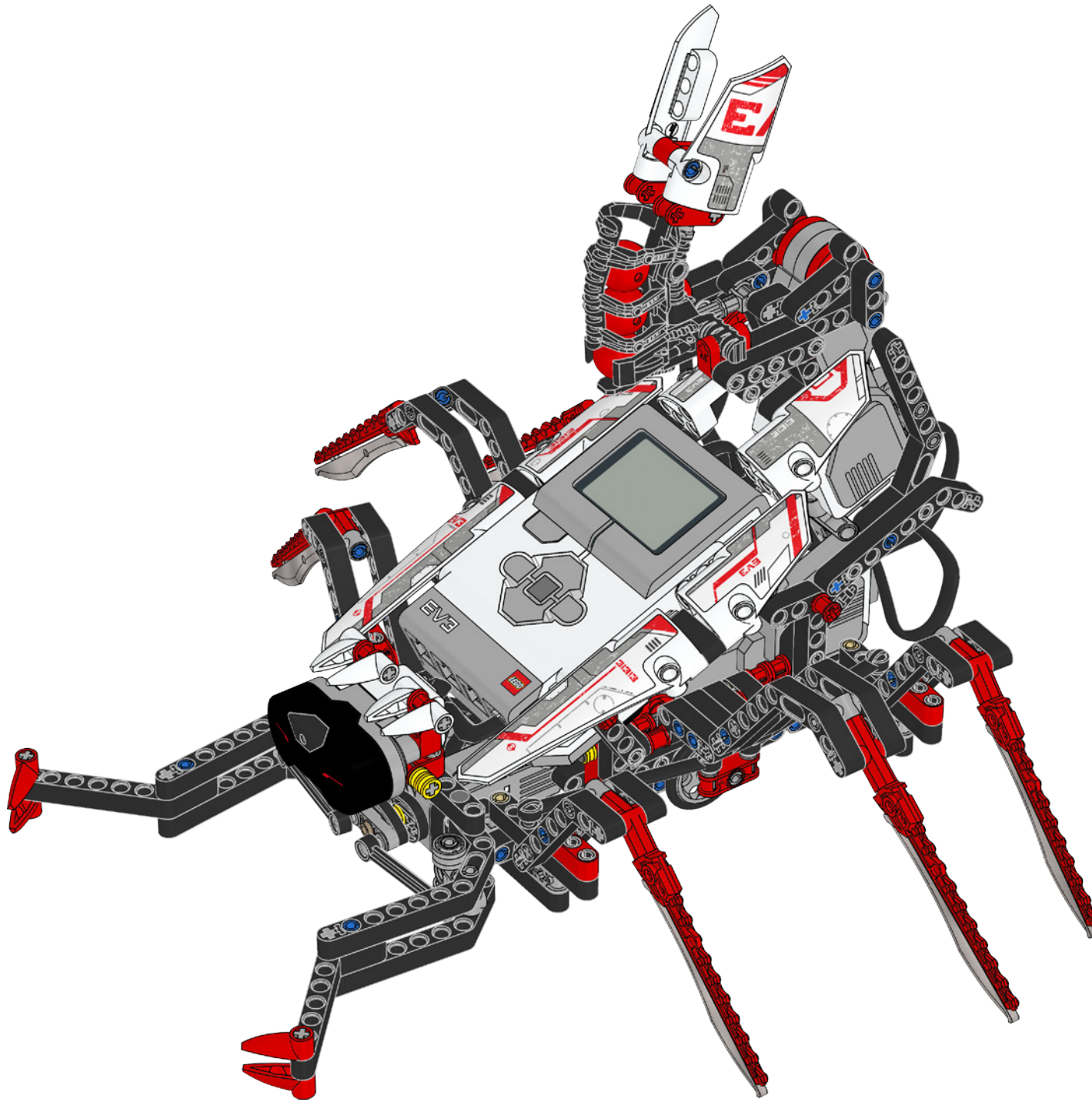


8



39



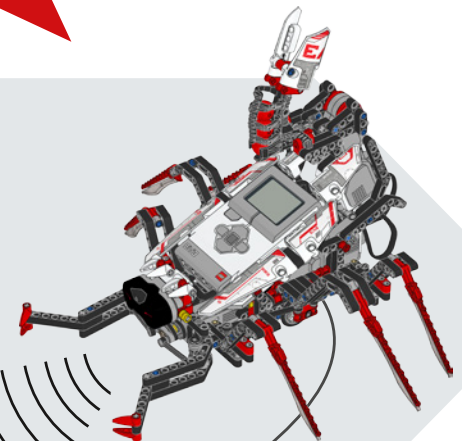




MISSION 04



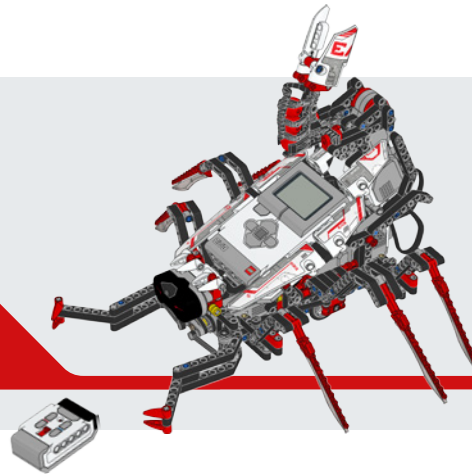
LEGO® MINDSTORMS®
EV3 Programmer
The LEGO Group

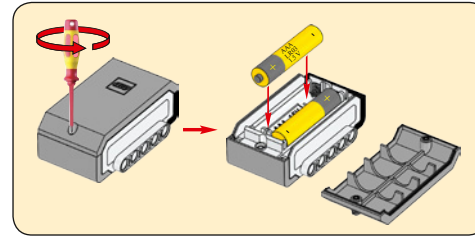
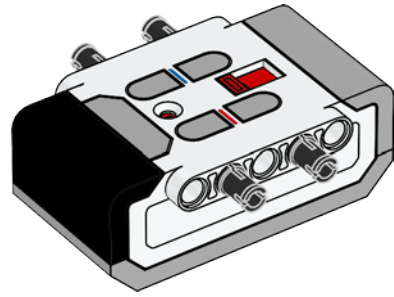
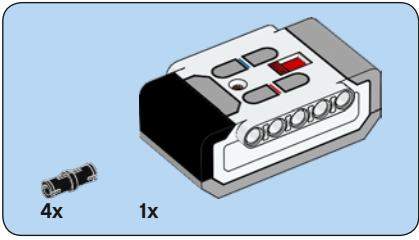
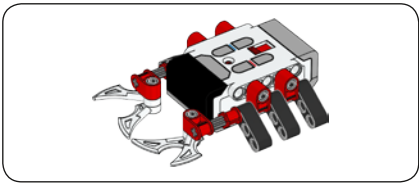


 LEGO.com/mindstorms/software

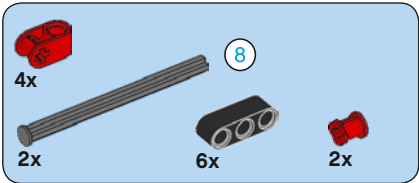


MISSION 05

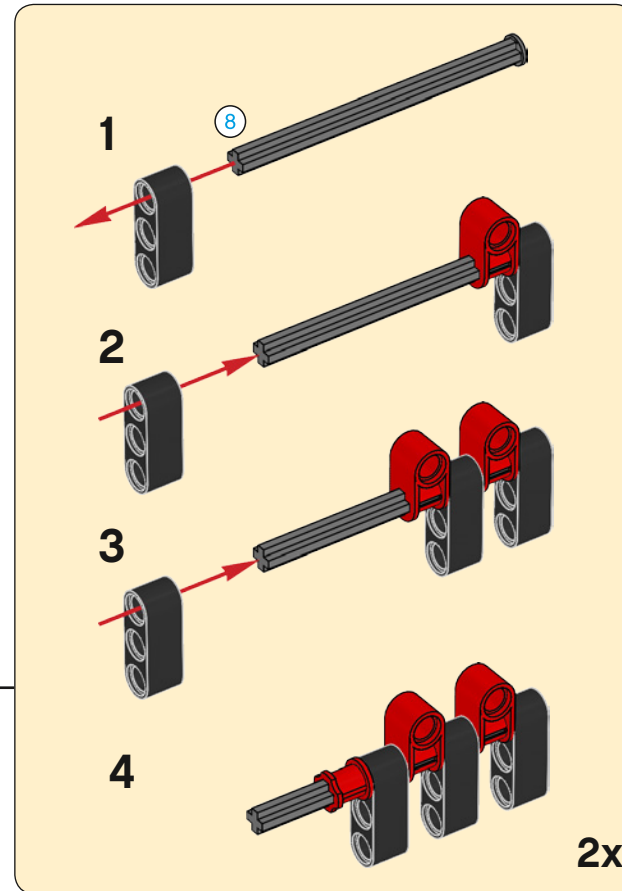
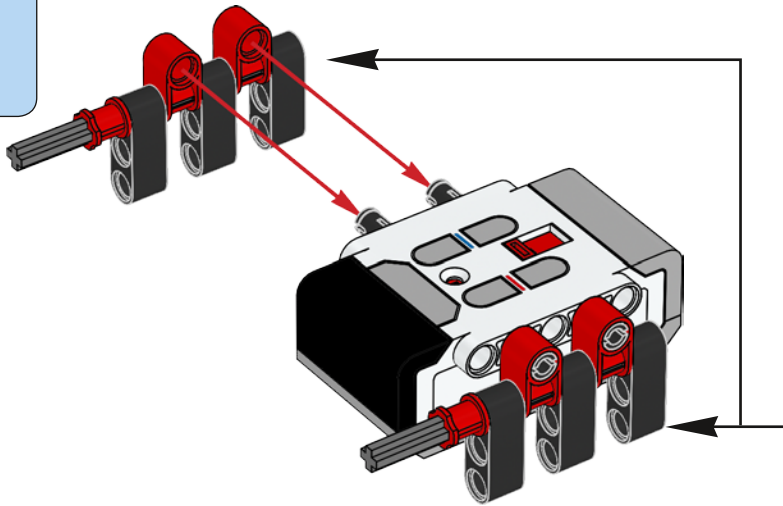


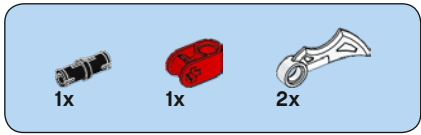


1

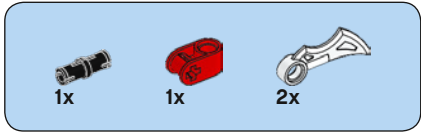
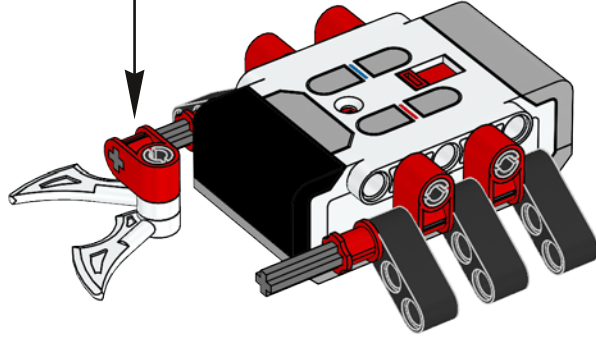
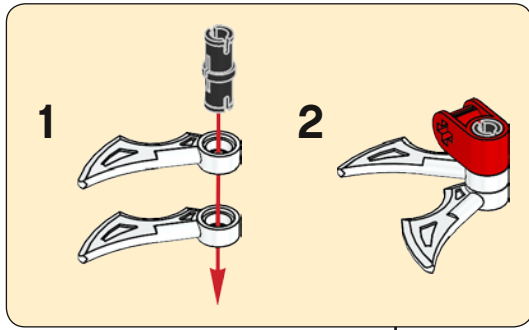


2

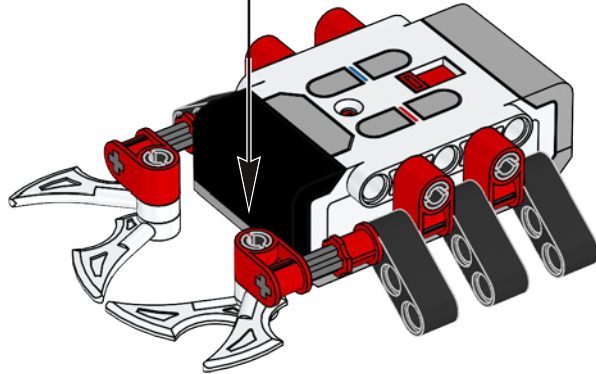
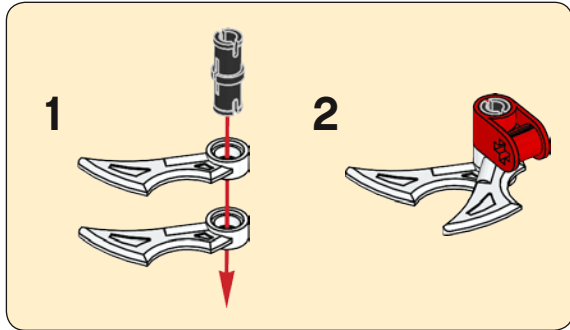


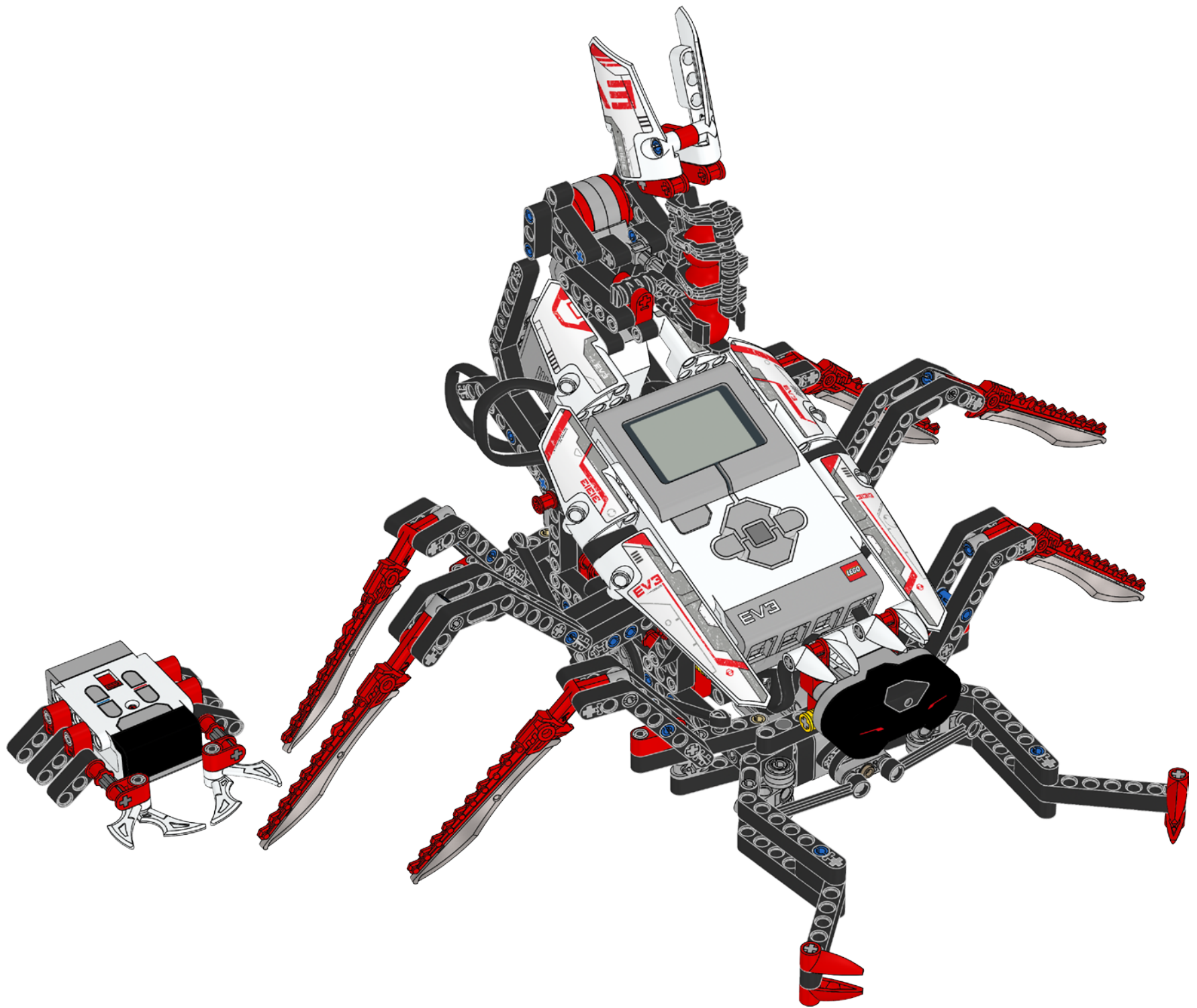


3



4







Download on the
App Store



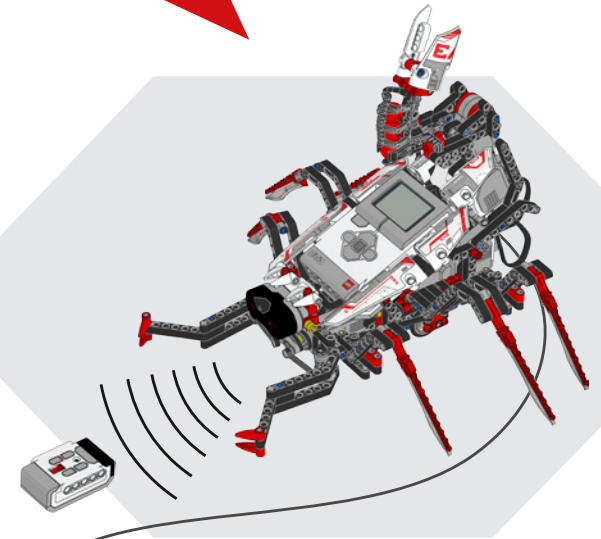
GET IT ON
Google play



LEGO® MINDSTORMS®
EV3 Programmer
The LEGO Group



MISSION 05



LEGO.com/mindstorms/software



